



**THE DATASHEET OF  
GPTS203211B**



THIS INFORMATION IS CONFIDENTIAL AND PROPRIETARY TO CW INDUSTRIES INCORPORATED AND ITS AFFILIATES. IT MAY NOT BE DISCLOSED TO ANYONE, OTHER THAN CW INDUSTRIES PERSONNEL, WITHOUT WRITTEN AUTHORIZATION FROM CW INDUSTRIES INCORPORATED, SOUTHAMPTON, PENNSYLVANIA USA.

**SPECIFICATIONS:**

- Rating: DC30V 1A ;
- Contact resistance: 100m Ω (Max.) ;
- Insulation resistance: DC500V 100M Ω (Min.) ;
- Withstand voltage: AC 1000V for 1 minute ;
- Operating force: 500±200gf ;
- Operating Temp.: -25 ° C ~ +65 ° C
- Life cycle: 20,000 cycles ;
- Total Travel: 1.5±0.3mm .

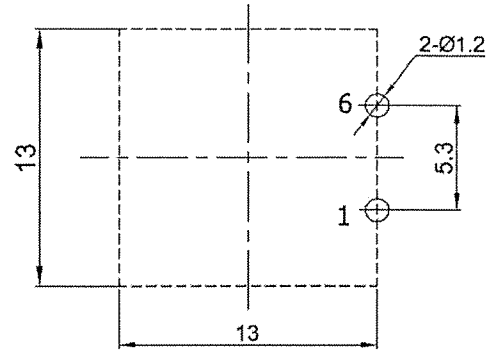
**MATERIAL:**

- Frame: PBT,UL rated:94V-2 Min. ;
- Cap: POM;
- Terminal:Brass,Silver or Tin plated .

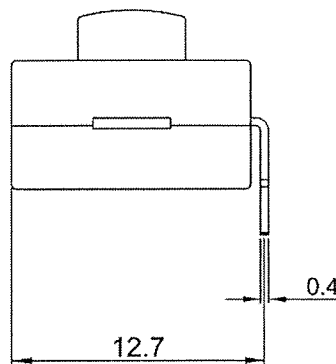
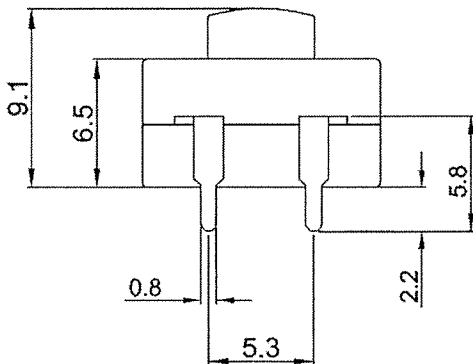
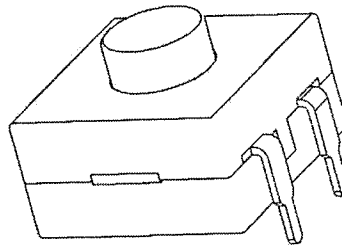
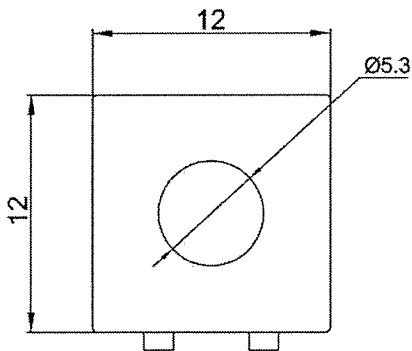
**Function:**

ON(1-6)-OFF

Cap Color: Black



P.C.B.LAYOUT(BottomView)



RoHS Compliant

2 Added Operating Temp. 11-13-12.

**CW INDUSTRIES**  
 Southampton, Pa. 18966  
 Tel 215.355.7080/www.cwind.com

Date Drawn: 3-22-12

Rev. 2

Unit: mm


Checked By: *G. Gold*

Title:  
**PUSH BUTTON SWITCH**

CW P/N:  
**GPTS203211B**

## Looking for pricing, stock, or lifecycle information?

Click below to explore more details on WIN SOURCE:

 [View GPTS203211B](#) on WIN SOURCE

 [CW Industries](#) Information

## Optimize Your Supply Chain with WIN SOURCE Solutions

-  Global Sourcing Solution
-  Obsolete Management
-  Cost Control Management
-  Shortage Management
-  Alternative Solution
-  Excess Inventory Management