



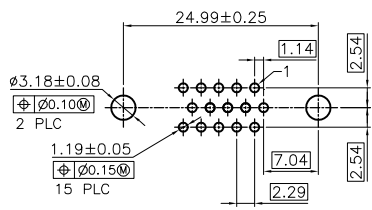
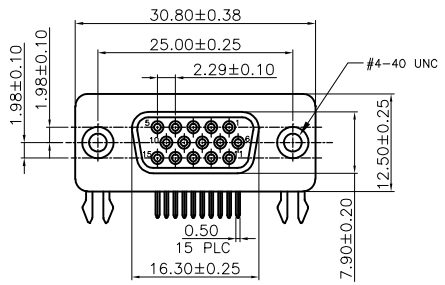
**THE DATASHEET OF
1734344-5**



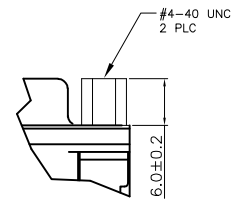
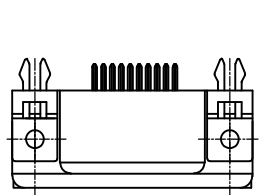
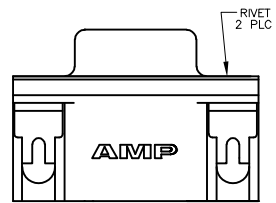
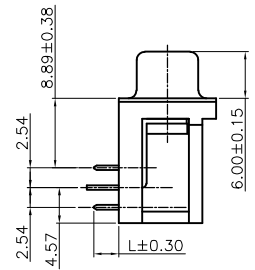
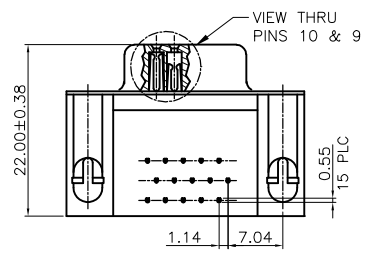
| LOC | | DIST | | REVISIONS | | | |
|-----|--|------|-----|---------------------------|---------|-----|------|
| DW | | P | LTR | DESCRIPTION | DATE | DWN | APVD |
| | | B1 | | REVISED PER ECO-11-005301 | 07MAR11 | RK | HMR |

NOTES:

1. MATERIAL:
 - 1.1 HOUSING: UL94V-0; COLOR: SEE TABLE.
 - ▲: NY9T, THERMOPLASTIC, HIGH TEMP.
 - ▲: PBT, THERMOPLASTIC.
- 1.2 CONTACTS: PHOSPHOR BRONZE
- 1.3 SHELL: SPCC
- 1.4 BOARDLOCK: BRASS
- 1.5 RIVET: BRASS
2. FINISH:
 - 2.1 CONTACT: GOLD PLATING ON CONTACT AREA, 100µ" MIN. MATTE TIN PLATING ON SOLDERTAIL, 50µ" MIN. NICKEL UNDERPLATED OVERALL.
 - 2.2 BOARDLOCK: 100µ" MIN. TIN PLATING 50µ" MIN. NICKEL UNDERPLATED OVERALL.
 - 2.3 SHELL: 50µ" MIN. NICKEL PLATING OVERALL.
 - 2.4 RIVET: NICKEL PLATING OVERALL.
3. RECOMMENDED PCB THICKNESS: 1.6mm
4. WAVE SOLDER CAPABLE TO 265°C PER TE CONNECTIVITY SPEC. 109-202, CONDITION B.



RECOMMENDED P.C. BOARD LAYOUT



DETAIL Z (W/SCREWLOCKS OPTION)

| | | | | | | | |
|-----------|---|---------------|------|-----------|--------------|--------------------------------|-------------|
| OBSOLETE | ▲ | 300U BLUE | 3.20 | TRAY | 10µ" | RIVET, THREADED W/O SCREW | 5-1734344-3 |
| | | 300U BLUE | 3.70 | TRAY | 30µ" | RIVET, THREADED W/O SCREW | 2-1734344-4 |
| OBSOLETE | | 300U BLUE | 3.20 | TRAY | 30µ" | RIVET, THREADED W/O SCREW | 2-1734344-3 |
| | | 661C BLUE | 2.67 | TRAY | 30µ" | RIVET, THREADED W/O SCREW | 2-1734344-2 |
| OBSOLETE | | 661C BLUE | 2.67 | TRAY | G/F | W/FEMALE SCREWLOCKS (DETAIL Z) | 1-1734344-2 |
| | | 300U BLUE | 3.20 | TRAY | G/F | W/FEMALE SCREWLOCKS (DETAIL Z) | 1-1734344-1 |
| | | BLACK | 2.67 | TUBE | 15µ" | W/FEMALE SCREWLOCKS (DETAIL Z) | 1734344-5 |
| | | 300U BLUE | 3.20 | TUBE | 10µ" | RIVET, THREADED W/O SCREW | 1734344-4 |
| | | 300U BLUE | 3.20 | TRAY | 10µ" | RIVET, THREADED W/O SCREW | 1734344-3 |
| | | 661C BLUE | 2.67 | TRAY | G/F | RIVET, THREADED W/O SCREW | 1734344-2 |
| | | 300U BLUE | 3.20 | TRAY | G/F | RIVET, THREADED W/O SCREW | 1734344-1 |
| HSG RESIN | | PANTONE COLOR | 'L' | PACKAGING | GOLD PLATING | FASTENER OPTION | PART NUMBER |

THIS DRAWING IS A CONTROLLED DOCUMENT.

DWN J. LEE 16JAN2006
 CHK S. HOU 16JAN2006
 APVD W.J. KE 16JAN2006

TE Connectivity

RCPT ASM, SZ 1, 15 POSN, RT ANG, FRONT METAL, SHELL AMPLIMITE HD-22

108-57541
 501-57623

SIZE A3 CAGE CODE 00779 DRAWING NO. C-1734344 RESTRICTED TO

WEIGHT 9.0g/PCS(W/ SCREW) 11.1g/PCS(W/O SCREW)
 MATERIAL SEE NOTE FINISH SEE NOTE

CUSTOMER DRAWING SCALE SHEET 1 OF 3 REV B1

THIS DRAWING IS UNPUBLISHED.

RELEASED FOR PUBLICATION

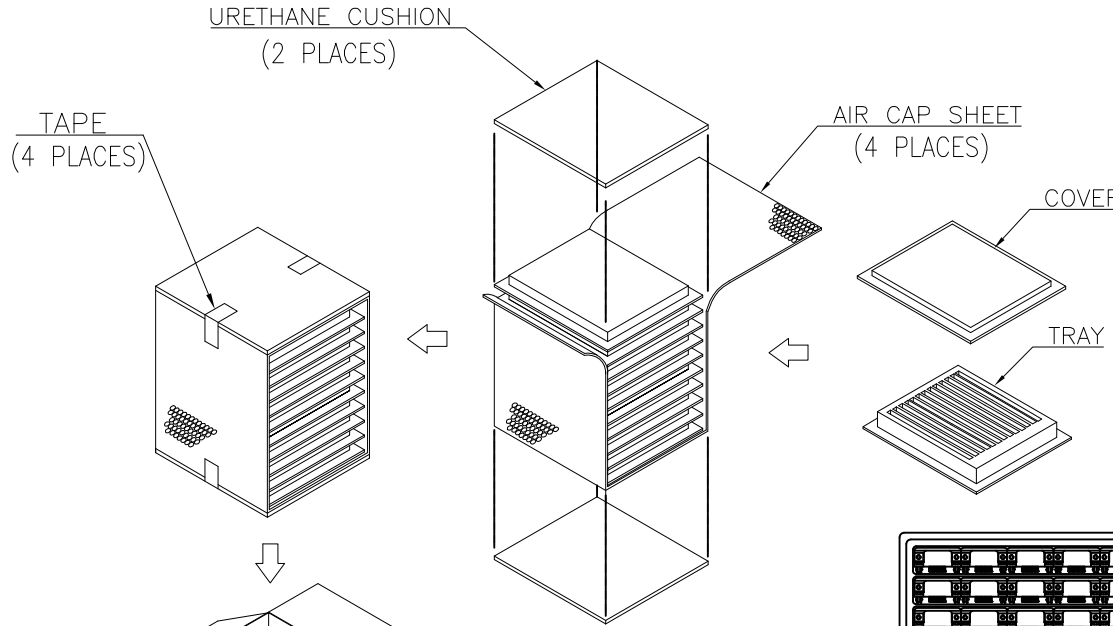
ALL RIGHTS RESERVED.

© COPYRIGHT - BY -

LOC DW DIST

REVISIONS

| P | LTR | DESCRIPTION | DATE | DWN | APVD |
|---|-----|--------------|------|-----|------|
| - | - | SEE SHEET 1. | - | - | - |



TAPE (4 PLACES)

URETHANE CUSHION (2 PLACES)

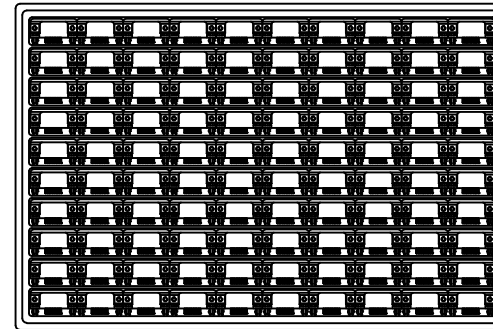
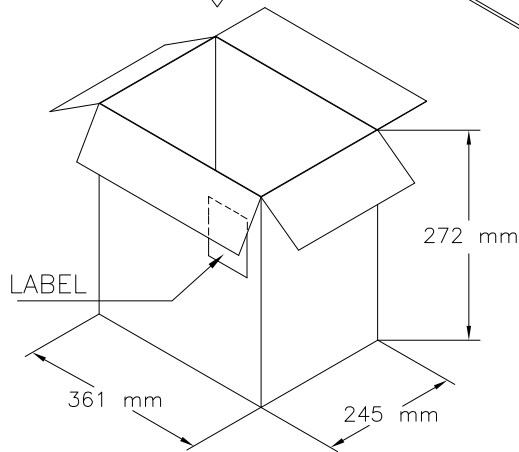
AIR CAP SHEET (4 PLACES)

COVER

TRAY

NOTES:

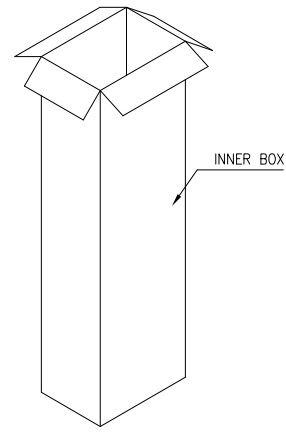
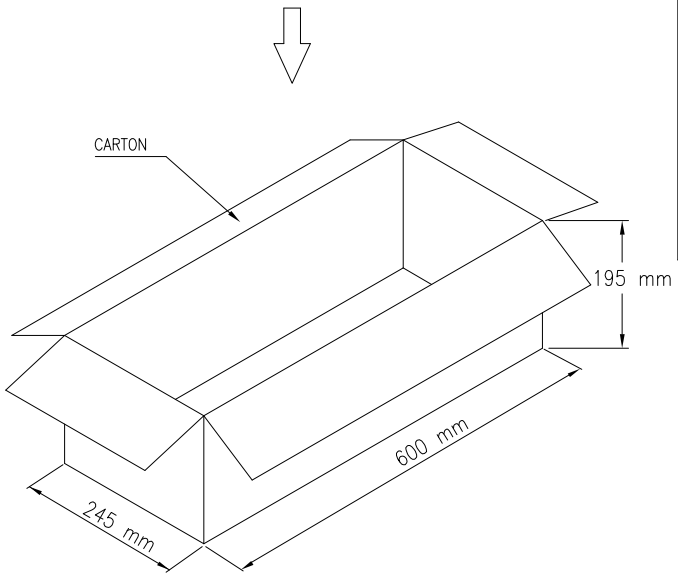
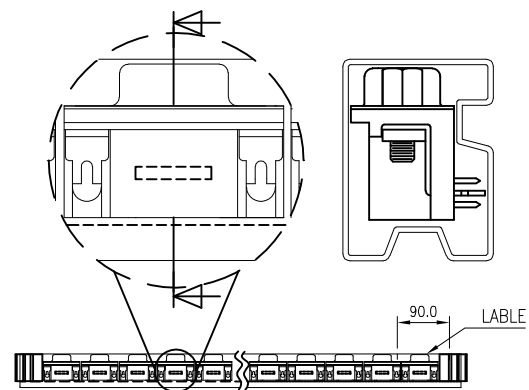
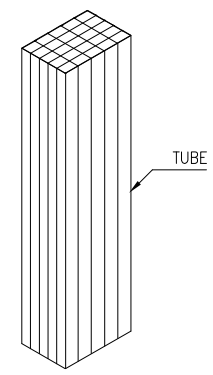
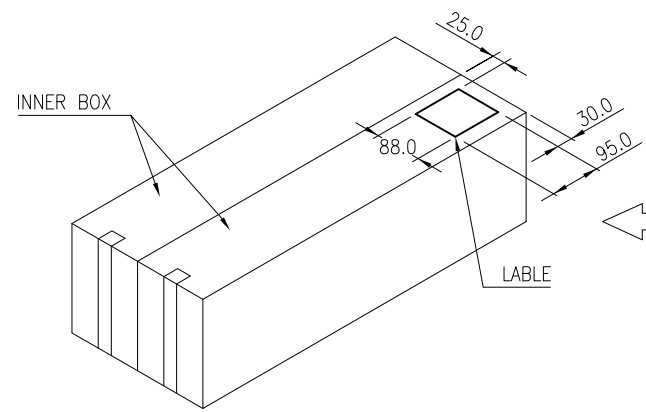
1. MATERIAL:
 - 1.1 TRAY: PVC
 - 1.2 SHIPPING CARTON: CORRUGATED FIBERBOARD
2. DIMENSION:
 - 2.1 TRAY: L=320, W=230, H=18.9
 - 2.2 SHIPPING CARTON: L=361, W=245, H=272
3. QUANTITY:
 - 3.1 PRIMARY PACKING: 100 PCS/TRAY
 - 3.2 SECONDARY PACKING: 10 TRAY/CARTON(1000PCS)
4. CARTON WEIGHT:
 - 4.1 W/O SCREWLOCK
 - NET WEIGHT: 8.24 Kg
 - GROSS WEIGHT: 9.24 Kg
 - 4.2 WITH SCREWLOCK
 - NET WEIGHT: 10.24 Kg
 - GROSS WEIGHT: 11.24 Kg



| | | | | | | |
|--|--|------------------|---|-----------|------------|---------------|
| THIS DRAWING IS A CONTROLLED DOCUMENT. | | DWN | STE TE Connectivity | | | |
| | | CHK | | | | |
| DIMENSIONS: MM | | APVD | NAME | | | |
| | | PRODUCT SPEC | RCPT ASM, SZ 1, 15 POSN, RT ANG, FRONT METAL, SHELL AMPLIMITE HD-22 | | | |
| | | APPLICATION SPEC | | | | |
| MATERIAL | | WEIGHT | SIZE | CAGE CODE | DRAWING NO | RESTRICTED TO |
| FINISH | | - | A3 | 00779 | ©=1734344 | - |
| CUSTOMER DRAWING | | | SCALE | SHEET | REV | |
| | | | - | 2 OF 3 | B1 | |

THIS DRAWING IS UNPUBLISHED. RELEASED FOR PUBLICATION
 © COPYRIGHT - BY - ALL RIGHTS RESERVED.

| LOC | DIST | REVISIONS | | | |
|-----|------|--------------|------|-----|------|
| P | LTR | DESCRIPTION | DATE | DWN | APVD |
| - | - | SEE SHEET 1. | - | - | - |



- NOTES:
- MATERIAL:
 - 1.1 TRAY: PVC
 - 1.2 SHIPPING CARTON: CORRUGATED FIBERBOARD
 - DIMENSION:
 - 2.1 TRAY: L=560, W=17.8, H=27.4
 - 2.2 SHIPPING CARTON: L=600, W=245, H=195
 - QUANTITY:
 - 3.1 PRIMARY PACKING: 17 PCS/TUBE
 - 3.2 SECONDARY PACKING: 25 TUPE/BOX
 - 3.3 THIRD PACKING: 2 BOX/CARTON(850PCS)
 - CARTON WEIGHT:
 - 4.1 W/O SCREWLOCK
NET WEIGHT: 8.24 Kg
GROSS WEIGHT: 9.24 Kg
 - 4.2 WITH SCREWLOCK
NET WEIGHT: 10 Kg
GROSS WEIGHT: 11 Kg

| | | | | | |
|--|--|--|--|---|--|
| THIS DRAWING IS A CONTROLLED DOCUMENT. | | DWN | | TE Connectivity | |
| DIMENSIONS: MM | | CHK | | | |
| DIMENSIONS: MM | | TOLERANCES UNLESS OTHERWISE SPECIFIED: | | NAME | |
| 0 PLC ± | | 1 PLC ± | | RCPT ASM, SZ 1, 15 POSN, RT ANG, FRONT METAL, SHELL AMPLIMITE HD-22 | |
| 2 PLC ± | | 2 PLC ± | | APVD | |
| 3 PLC ± | | 3 PLC ± | | PRODUCT SPEC | |
| 4 PLC ± | | 4 PLC ± | | APPLICATION SPEC | |
| ANGLES ± | | FINISH | | SIZE | |
| MATERIAL | | WEIGHT | | A3 00779 | |
| | | CUSTOMER DRAWING | | C=1734344 | |
| | | | | RESTRICTED TO | |
| | | | | SCALE | |
| | | | | SHEET 3 of 3 | |
| | | | | REV B1 | |

Looking for pricing, stock, or lifecycle information?

Click below to explore more details on WIN SOURCE:

 [View 1734344-5 on WIN SOURCE](#)

 [TE Connectivity](#) Information

Optimize Your Supply Chain with WIN SOURCE Solutions

-  Global Sourcing Solution
-  Obsolete Management
-  Cost Control Management
-  Shortage Management
-  Alternative Solution
-  Excess Inventory Management