



**THE DATASHEET OF
KMI17/4X**





KMI17/4

Rotational speed sensor

Rev. 1 — 1 September 2014

Product data sheet

1. Product profile

1.1 General description

Based on the Anisotropic MagnetoResistive (AMR) effect, the KMI17/4 detects the rotational speed of passive target wheels (i.e. having ferromagnetic teeth). This design delivers secure speed information over a wide range of speed, air gap and temperature. It delivers the speed information via a current protocol at the supply pins.

CAUTION



Do not press two or more products together against their magnetic forces.

1.2 Features and benefits

- System in package
- Two wire standard current interface
- Large range of operating terminal voltage
- Wide temperature range
- High ElectroStatic Discharge (ESD) protection
- Very low jitter
- Automotive qualified in accordance with AEC-Q100 Rev-G (grade 0)
- Customer Production Test Mode (CPTM)

1.3 Quick reference data

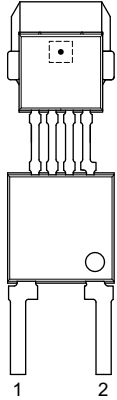
Table 1. Quick reference data

Symbol	Parameter	Conditions	Min	Typ	Max	Unit
V_{CC}	supply voltage	normal operation mode; $T_{amb} \leq 175\text{ °C}$; referred to pin GND	4.5	-	16	V
T_{amb}	ambient temperature	normal operation mode	-40	-	+150	°C
I_{CCL}	LOW-level supply current		5.88	7.0	8.4	mA
I_{CCH}	HIGH-level supply current		11.76	14.0	16.8	mA
f_o	output frequency	normal operation mode	0	-	20	kHz
d_{ST}	start-up air gap of encoder wheel to sensor surface	after power-on; at start-up of encoder wheel	0.5	-	2.4	mm



2. Pinning information

Table 2. Pinning

Pin	Symbol	Description	Simplified outline
1	V _{CC}	supply pin	
2	GND	ground pin	

3. Ordering information

Table 3. Ordering information

Type number	Package		
	Name	Description	Version
KMI17/4	SIP2	plastic single-ended multi-chip package; magnetized ferrite magnet (4.25 × 5.2 × 3 mm); 4 interconnections; 2 in-line leads	SOT453E

4. Functional diagram

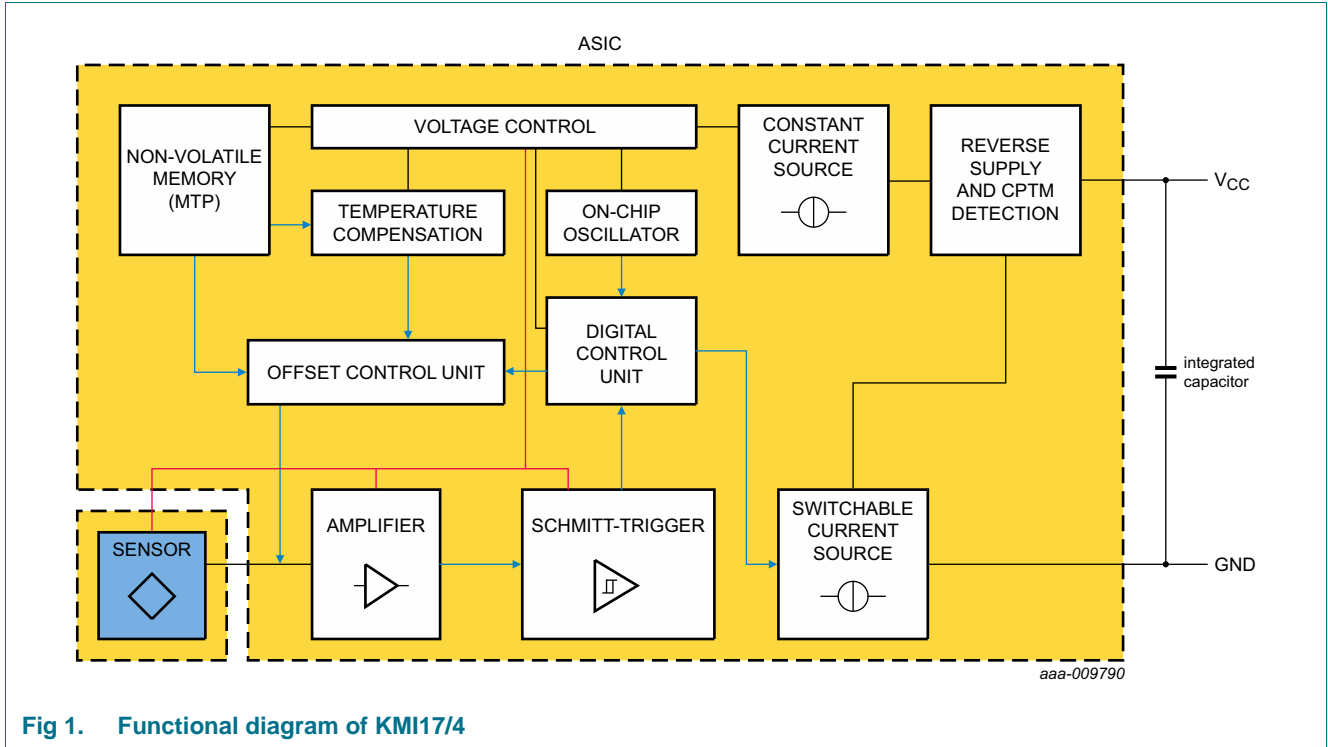


Fig 1. Functional diagram of KMI17/4

5. Functional description

5.1 Functional principle

The KMI17/4 is sensitive to the motion of ferrous gear wheels. The functional principle is shown in [Figure 2](#). Due to the effect of flux bending, the different directions of magnetic field lines in the MR sensor element cause an electrical signal. Because of the chosen sensor orientation and the direction of ferrite magnetization the KMI17/4 is sensitive to movement in the y direction in front of the sensor only; also see [Figure 3](#).

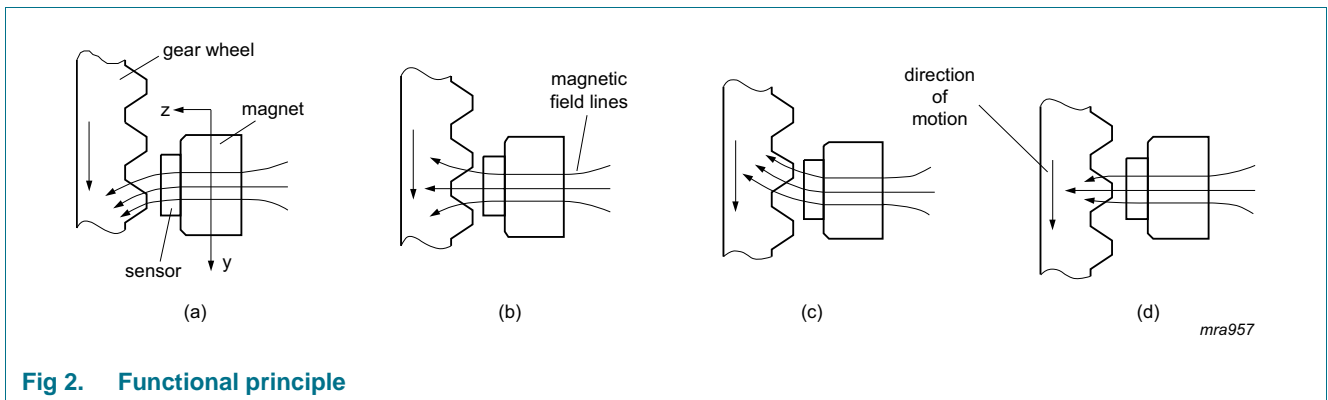
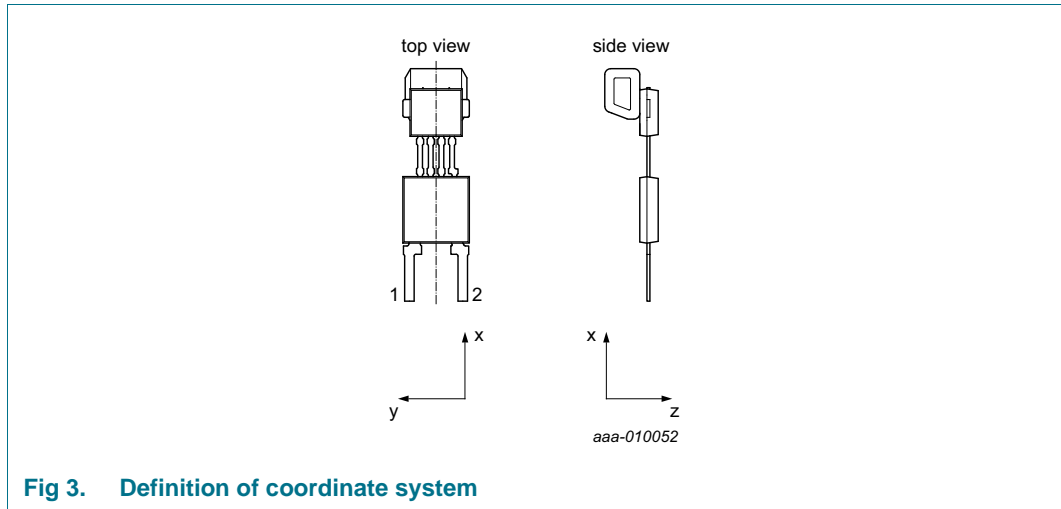
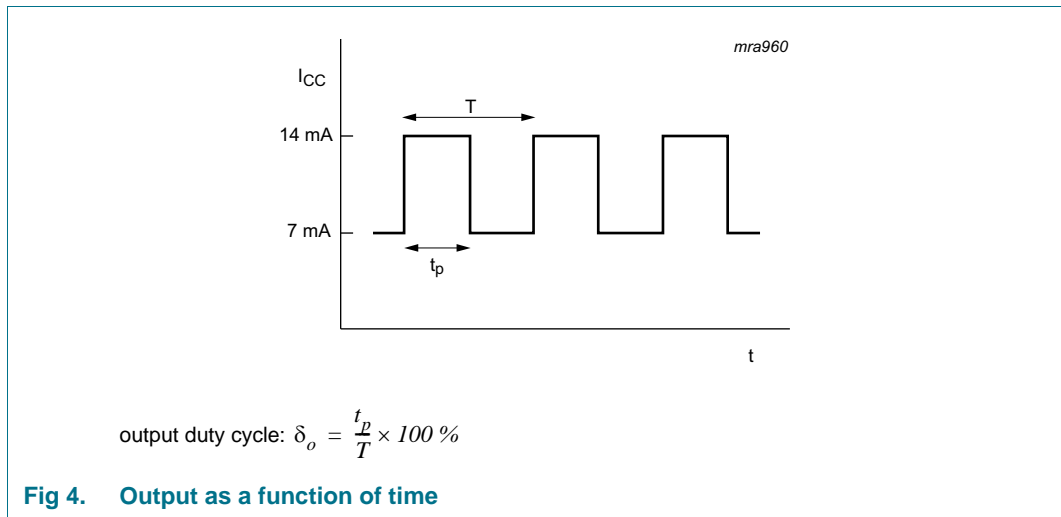


Fig 2. Functional principle



The KMI17/4 comprises an MR sensor element and an Application-Specific Integrated Circuit (ASIC) for signal conditioning (see [Figure 1](#)). Within the ASIC, the sinusoidal signal coming from the MR element is amplified and passed to a Schmitt-trigger. The latter provides a conversion of the sinusoidal sensor signal into a rectangular output signal. At the output pins, this rectangular output signal is provided as a modulation of the supply current between a low level of 7 mA typically and a high level of 14 mA typically (see [Figure 4](#)). With this current interface, safe sensor signal transport to the detection circuit by using only a two-wire cable is provided. An integrated capacitor between the supply terminals provides superior performance of the sensor concerning immunity to and emission of electromagnetic disturbances.



The offset control unit provides compensation of voltage offsets, which are included in the MR bridge output due to fabrication tolerances. Therefore, during final test of each device, this offset is measured at two different temperatures and stored in the non-volatile memory. In combination with an on-chip temperature sensor, this two-point calibration allows compensation of the temperature-dependent MR bridge offset.

[Figure 7](#) shows a typical test and application circuit, where resistor R_L provides the conversion of the current signal into a voltage signal at the detection circuit.

5.2 Modes of operation

5.2.1 Start-up mode

When supply voltage has been applied between terminals V_{CC} and GND, all circuit parts of the KMI17/4 are set into a defined initial state. The offset control unit instantly applies an offset compensation voltage to the signal input. It is derived from the respective content of the non-volatile memory and the device temperature. The device then enters the normal operation mode.

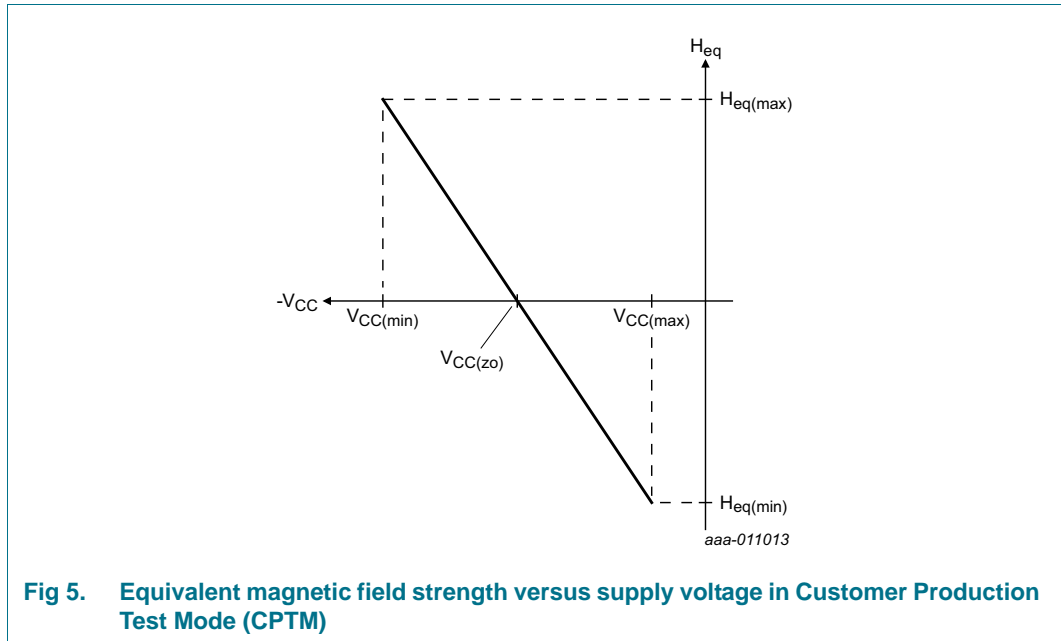
5.2.2 Normal operation mode

During normal operation mode, the temperature-dependent offset is continuously compensated, based on the actual chip temperature. For signal frequencies greater than 1 Hz, the offset compensation changes only by 1 bit per signal period. Therefore, additional jitter is limited. For frequencies below 1 Hz offset changes are compensated instantly. At signal frequencies greater than 16 Hz a duty cycle-dependent offset control loop is activated. This control loop monitors the duty cycle of the output signal, which should ideally (i.e. without offset) be at 50 %. In order to maintain a duty cycle of 50 %, the offset compensation is controlled. Using this measure, offsets due to external magnetic fields or eddy currents are compensated.

5.2.3 CPTM

CPTM is a test mode, that allows the air gap safety margin to be measured for a KMI17/4, when mounted in the application. CPTM is entered, when a negative supply voltage ($-V_{CC}$) is applied to the sensor. The characteristic feature of CPTM is, that by variation of $-V_{CC}$ a variable offset voltage is added to the sensor voltage within the ASIC. This offset voltage in turn corresponds to an equivalent magnetic offset field (H_{eq}).

Practically, in the CPTM and while the encoder wheel is rotating, $-V_{CC}$ should be varied, until the sensor device is just at the edge of failure. The edge of failure is just before output pulses disappear. The value of $-V_{CC}$, adjusted to reach this state, corresponds to the safety margin regarding magnetic offset (H_{eq}). The relation $-V_{CC}$ versus H_{eq} is device type specific. Finally, the magnetic offset margin corresponds to an air gap margin. The relation between magnetic offset and air gap depends on the type of encoder used. [Figure 5](#) shows the characteristic of H_{eq} versus $-V_{CC}$ in principle.



6. Limiting values

Table 4. Limiting values

In accordance with the Absolute Maximum Rating System (IEC 60134). Voltages are referred to pin GND.

Symbol	Parameter	Conditions	Min	Max	Unit
V _{CC}	supply voltage	normal operation mode			
		-40 °C < T _{amb} < +60 °C; lifetime mission profile	-	18	V
		-40 °C < T _{amb} < +60 °C; 5 minutes	-	28	V
		-40 °C < T _{amb} < +150 °C; lifetime mission profile	-	16	V
		150 °C < T _{amb} < 175 °C; 12 × 10 minutes total	-	16	V
		CPTM; 10 °C < T _{amb} < 50 °C	-28	-	V
T _{amb}	ambient temperature		-40	+150	°C
		peak value; V _{CC} < 16 V; 12 × 10 minutes total	-40	+175	°C
H _{ext}	external magnetic field strength	-40 °C < T _{amb} < +175 °C	-	30	kA/m

7. Recommended operating conditions

Table 5. Operating conditions

The encoder is a ferromagnetic gear wheel with a module of 2.1 mm. The module m of a gear wheel is defined as the ratio of outer diameter D and number of teeth N ($m = D/N$).

Symbol	Parameter	Conditions	Min	Max	Unit
V _{CC}	supply voltage	normal operation mode; T _{amb} ≤ 175 °C; referred to pin GND	4.5	16	V
		CPTM	-27	-5	V
R _L	load resistance		50	75	Ω
C _L	load capacitance		-	22	nF
T _{amb}	ambient temperature	normal operation mode	-40	+150	°C
		CPTM	10	50	°C
f _o	output frequency	normal operation mode	0	20	kHz
		CPTM	-	2.5	kHz

8. Characteristics

Table 6. Characteristics

Characteristics are valid for the operating conditions specified in [Section 7](#); voltages are referred to pin GND; unless otherwise specified.

Symbol	Parameter	Conditions	Min	Typ	Max	Unit
Normal operation mode						
V _{CC(swon)}	switch-on supply voltage		[1] -	-	4.5	V
t _{d(on)}	turn-on delay time		[2] -	-	1	ms
V _{CC(swoff)}	switch-off supply voltage	I _{CC} = I _{CCH}	[1] -	-	3.8	V
		I _{CC} = I _{CCL}	[1] -	-	4.27	V
I _{CC(swoff)}	switch-off supply current	V _{CC} < 4 V	2.5	-	4.0	mA
I _{CCL}	LOW-level supply current		5.88	7.0	8.4	mA
I _{CCH}	HIGH-level supply current		11.76	14.0	16.8	mA
I _{CCH} /I _{CCL}	HIGH-level supply current to LOW-level supply current ratio		1.8	2.0	2.2	-
C _{itg}	integrated capacitance	between supply terminals	-	2.2	-	nF
H _{th}	magnetic field strength threshold (absolute value)	in y direction; including hysteresis and offset	-	-	300	A/m
di _{CC} /dt	rate of change of supply current	I _{CCL} to I _{CCH} (10 % to 90 % and 90 % to 10 %); R _L = 50 Ω; no C _L	6	-	28	mA/μs
δ _o	output duty cycle	H in y direction > 500 A/m	30	-	70	%
f _o	output frequency	normal operation mode	0	-	20	kHz
		CPTM	-	-	2.5	kHz

Table 6. Characteristics ...continued

Characteristics are valid for the operating conditions specified in [Section 7](#); voltages are referred to pin GND; unless otherwise specified.

Symbol	Parameter	Conditions	Min	Typ	Max	Unit
Period jitter with ideal ferromagnetic encoder with a module ^[3] of 2.1 mm minimum and track width = 10 mm. The sensor reading point is located within a distance x of ±1 mm next to the center of the encoder track; see Figure 6						
$\sigma(T)$	period jitter	low-field; RMS value; due to noise at large air gaps; H in y direction = 500 A/m	[4] -	-	0.5	%
		high-field; RMS value; due to noise; H in y direction = 2500 A/m; $f_o < 2.5$ kHz	[4] -	-	0.1	%
Air gap with ideal ferromagnetic encoder with a module ^[3] of 2.1 mm minimum and track width = 10 mm. The sensor reading point is located within a distance x of ±1 mm next to the center of the encoder track; see Figure 6						
d_{ST}	start-up air gap of encoder wheel to sensor surface	after power-on; at start-up of encoder wheel	0.5	-	2.4	mm
d	air gap of encoder wheel to sensor surface	in normal mode after 10 wheel rotations	0.5	-	2.8	mm
Customer Production Test Mode (CPTM)						
$V_{CC(z0)}$	zero offset supply voltage	$H_{eq} = 0$ A/m	-16	-15.5	-15	V
I_{CCL}	LOW-level supply current		-4.0	-3.5	-	mA
I_{CCH}	HIGH-level supply current		-8.4	-7	-6.02	mA
$\Delta H/\Delta V_{CC}$	magnetic field strength variation with supply voltage	see Figure 5	50	52	56	(A/m)/V

- [1] Once V_{CC} has exceeded $V_{CC(swon)}$, the sensor switches on and current levels and current ratios are maintained until V_{CC} falls below $V_{CC(swoff)}$.
- [2] After supplying more than $V_{CC(swon)}$ to the device, it needs a turn-on delay time of $t_{d(on)}$ to reach stable operation. A stable supply current indicates stable operation.
- [3] Module m of the gear wheel is defined as the ratio of outer diameter D and number of teeth N: $m = D/N$.
- [4] RMS value measured as spread of the delay between zero-crossing of the magnetic field and output of the associated speed pulse. Extra jitter is possible due to disturbances on the supply line and other non-ideal conditions.

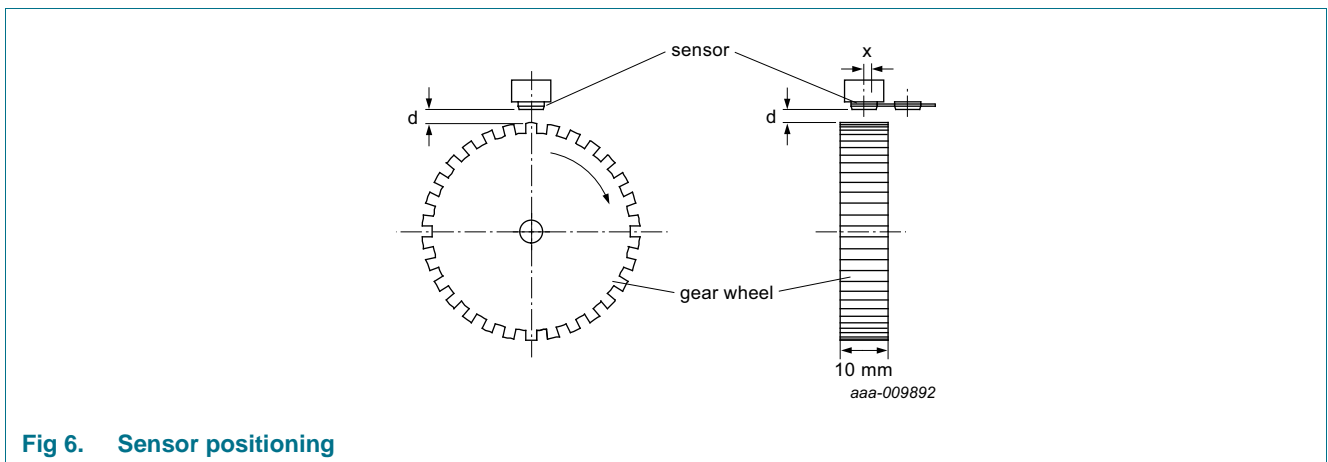


Fig 6. Sensor positioning

9. Electromagnetic compatibility

The following tests have verified EMC:

9.1 Emission

CISPR25: radiated emission, Absorber-Lined Shielded Enclosure (ALSE) method.

9.2 Immunity to electrical transients

Tests were carried out with external protection circuit.

- ISO 7637-2 (second edition 2004): electrical transient conduction on supply lines; test pulses 1, 2a, 3a, 3b and 5a
- ISO 7637-3: electrical transient transmission by capacitive and inductive coupling

9.3 Immunity to radiated disturbances

- ISO 11452-2: antenna in absorber lined shielded enclosure
- ISO 11452-4: Bulk Current Injection (BCI)
 - Substitution method and closed loop method
- ISO 11452-5: strip line
- ISO 11452-7: Direct Power Injection (DPI)
 - Differential mode and common mode

10. ElectroStatic Discharge (ESD)

The following tests have verified ESD in accordance with ISO 10605:

10.1 Powered contact discharge

±16 kV (C = 330 pF, R = 2 kΩ), function performance status II

10.2 Unpowered contact discharge

±25 kV (C = 150 pF, R = 330 Ω), function performance status III

10.3 Powered air discharge

±8 kV (C = 330 pF, R = 330 Ω), function performance status II

10.4 Unpowered air discharge

±25 kV (C = 330 pF, R = 330 Ω), function performance status III

11. Application information

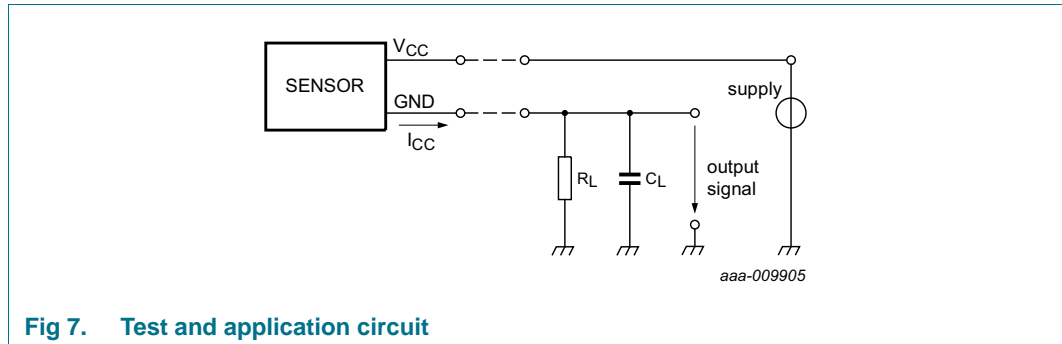


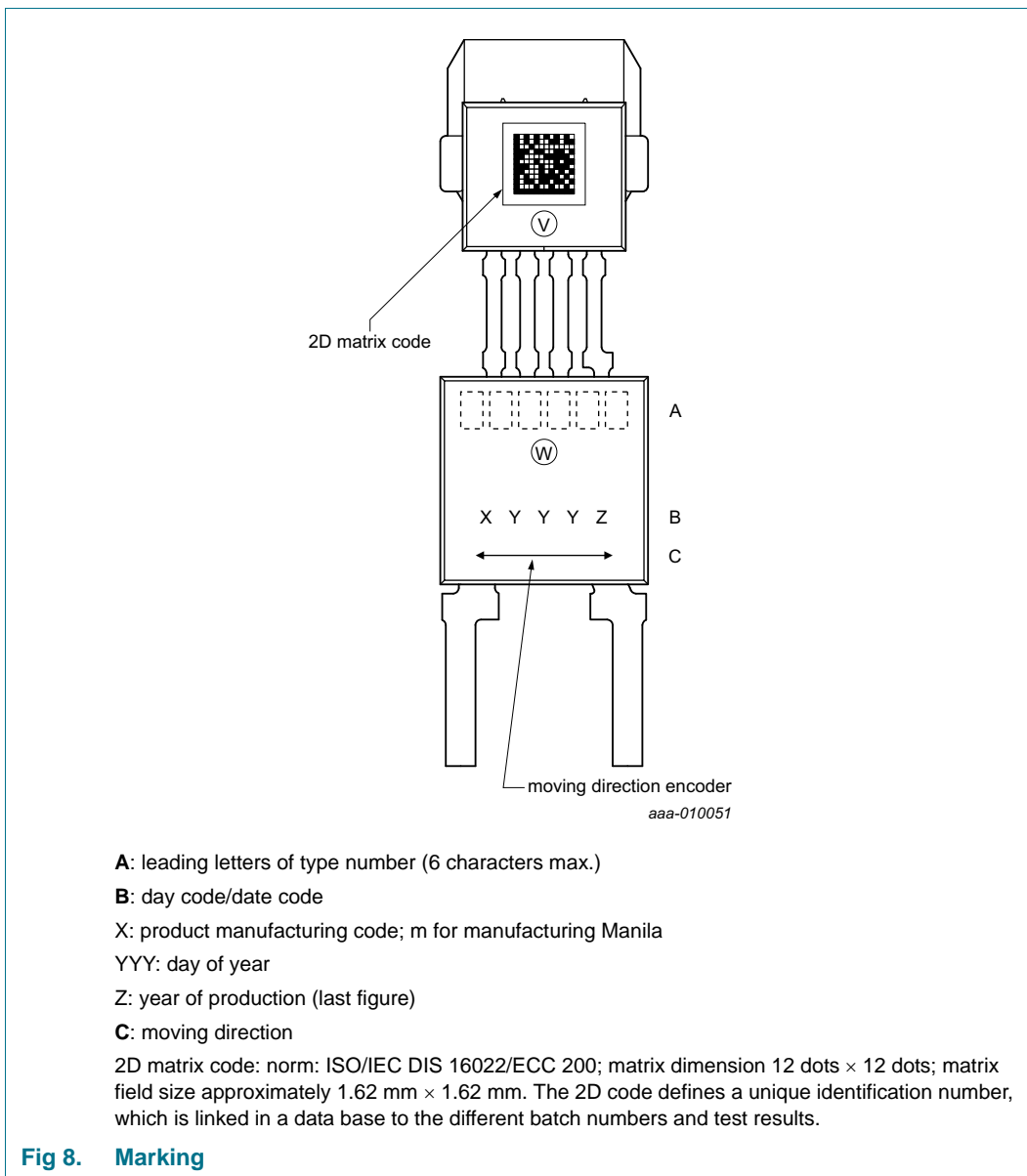
Fig 7. Test and application circuit

12. Test information

12.1 Quality information

This product has been qualified in accordance with the Automotive Electronics Council (AEC) standard Q100 Rev-G - *Failure mechanism based stress test qualification for integrated circuits*, and is suitable for use in automotive applications.

13. Marking



14. Package outline

Plastic single-ended multi-chip package;
magnetized ferrite magnet (4.25 x 5.2 x 3 mm); 4 interconnections; 2 in-line leads

SOT453E

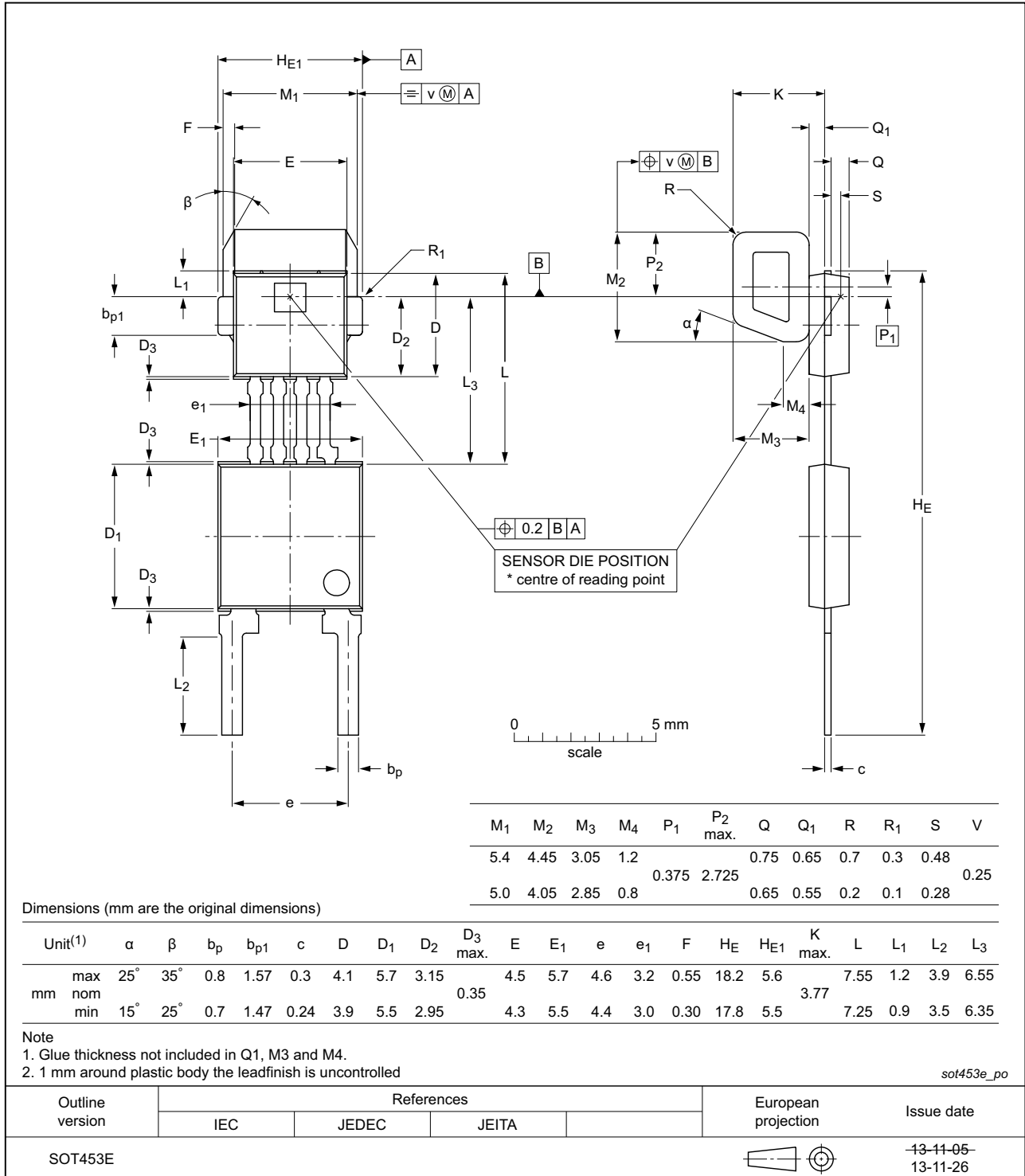
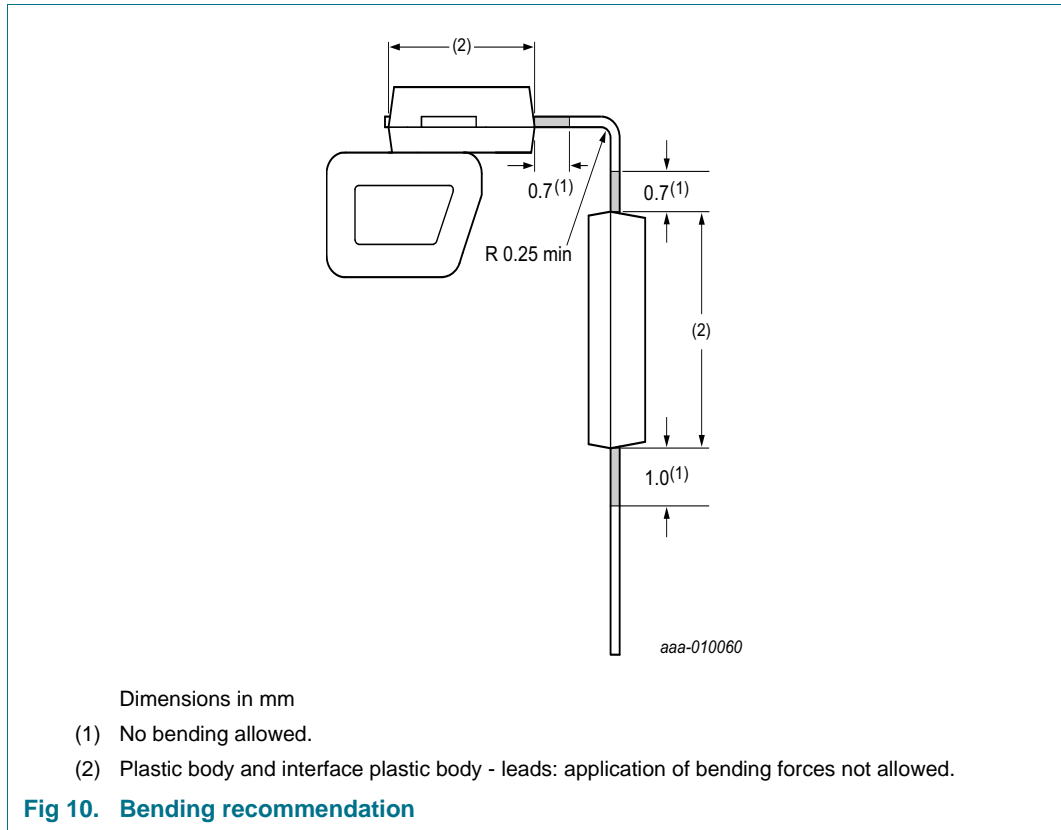


Fig 9. Package outline SOT453E

15. Handling information



16. Solderability information

Recommended soldering process for leaded devices is wave soldering. The maximum soldering temperature is 260 °C for maximum 5 s.

17. Revision history

Table 7. Revision history

Document ID	Release date	Data sheet status	Change notice	Supersedes
KMI17_4 v.1	20140901	Product data sheet	-	-

18. Legal information

18.1 Data sheet status

Document status ^{[1][2]}	Product status ^[3]	Definition
Objective [short] data sheet	Development	This document contains data from the objective specification for product development.
Preliminary [short] data sheet	Qualification	This document contains data from the preliminary specification.
Product [short] data sheet	Production	This document contains the product specification.

[1] Please consult the most recently issued document before initiating or completing a design.

[2] The term 'short data sheet' is explained in section "Definitions".

[3] The product status of device(s) described in this document may have changed since this document was published and may differ in case of multiple devices. The latest product status information is available on the Internet at URL <http://www.nxp.com>.

18.2 Definitions

Draft — The document is a draft version only. The content is still under internal review and subject to formal approval, which may result in modifications or additions. NXP Semiconductors does not give any representations or warranties as to the accuracy or completeness of information included herein and shall have no liability for the consequences of use of such information.

Short data sheet — A short data sheet is an extract from a full data sheet with the same product type number(s) and title. A short data sheet is intended for quick reference only and should not be relied upon to contain detailed and full information. For detailed and full information see the relevant full data sheet, which is available on request via the local NXP Semiconductors sales office. In case of any inconsistency or conflict with the short data sheet, the full data sheet shall prevail.

Product specification — The information and data provided in a Product data sheet shall define the specification of the product as agreed between NXP Semiconductors and its customer, unless NXP Semiconductors and customer have explicitly agreed otherwise in writing. In no event however, shall an agreement be valid in which the NXP Semiconductors product is deemed to offer functions and qualities beyond those described in the Product data sheet.

18.3 Disclaimers

Limited warranty and liability — Information in this document is believed to be accurate and reliable. However, NXP Semiconductors does not give any representations or warranties, expressed or implied, as to the accuracy or completeness of such information and shall have no liability for the consequences of use of such information. NXP Semiconductors takes no responsibility for the content in this document if provided by an information source outside of NXP Semiconductors.

In no event shall NXP Semiconductors be liable for any indirect, incidental, punitive, special or consequential damages (including - without limitation - lost profits, lost savings, business interruption, costs related to the removal or replacement of any products or rework charges) whether or not such damages are based on tort (including negligence), warranty, breach of contract or any other legal theory.

Notwithstanding any damages that customer might incur for any reason whatsoever, NXP Semiconductors' aggregate and cumulative liability towards customer for the products described herein shall be limited in accordance with the *Terms and conditions of commercial sale* of NXP Semiconductors.

Right to make changes — NXP Semiconductors reserves the right to make changes to information published in this document, including without limitation specifications and product descriptions, at any time and without notice. This document supersedes and replaces all information supplied prior to the publication hereof.

Applications — Applications that are described herein for any of these products are for illustrative purposes only. NXP Semiconductors makes no representation or warranty that such applications will be suitable for the specified use without further testing or modification.

Customers are responsible for the design and operation of their applications and products using NXP Semiconductors products, and NXP Semiconductors accepts no liability for any assistance with applications or customer product design. It is customer's sole responsibility to determine whether the NXP Semiconductors product is suitable and fit for the customer's applications and products planned, as well as for the planned application and use of customer's third party customer(s). Customers should provide appropriate design and operating safeguards to minimize the risks associated with their applications and products.

NXP Semiconductors does not accept any liability related to any default, damage, costs or problem which is based on any weakness or default in the customer's applications or products, or the application or use by customer's third party customer(s). Customer is responsible for doing all necessary testing for the customer's applications and products using NXP Semiconductors products in order to avoid a default of the applications and the products or of the application or use by customer's third party customer(s). NXP does not accept any liability in this respect.

Limiting values — Stress above one or more limiting values (as defined in the Absolute Maximum Ratings System of IEC 60134) will cause permanent damage to the device. Limiting values are stress ratings only and (proper) operation of the device at these or any other conditions above those given in the Recommended operating conditions section (if present) or the Characteristics sections of this document is not warranted. Constant or repeated exposure to limiting values will permanently and irreversibly affect the quality and reliability of the device.

Terms and conditions of commercial sale — NXP Semiconductors products are sold subject to the general terms and conditions of commercial sale, as published at <http://www.nxp.com/profile/terms>, unless otherwise agreed in a valid written individual agreement. In case an individual agreement is concluded only the terms and conditions of the respective agreement shall apply. NXP Semiconductors hereby expressly objects to applying the customer's general terms and conditions with regard to the purchase of NXP Semiconductors products by customer.

No offer to sell or license — Nothing in this document may be interpreted or construed as an offer to sell products that is open for acceptance or the grant, conveyance or implication of any license under any copyrights, patents or other industrial or intellectual property rights.

Suitability for use in automotive applications — This NXP Semiconductors product has been qualified for use in automotive applications. Unless otherwise agreed in writing, the product is not designed, authorized or warranted to be suitable for use in life support, life-critical or safety-critical systems or equipment, nor in applications where failure or malfunction of an NXP Semiconductors product can reasonably be expected to result in personal injury, death or severe property or environmental damage. NXP Semiconductors and its suppliers accept no liability for

inclusion and/or use of NXP Semiconductors products in such equipment or applications and therefore such inclusion and/or use is at the customer's own risk.

Quick reference data — The Quick reference data is an extract of the product data given in the Limiting values and Characteristics sections of this document, and as such is not complete, exhaustive or legally binding.

Export control — This document as well as the item(s) described herein may be subject to export control regulations. Export might require a prior authorization from competent authorities.

Translations — A non-English (translated) version of a document is for reference only. The English version shall prevail in case of any discrepancy between the translated and English versions.

18.4 Trademarks

Notice: All referenced brands, product names, service names and trademarks are the property of their respective owners.

19. Contact information

For more information, please visit: <http://www.nxp.com>

For sales office addresses, please send an email to: salesaddresses@nxp.com

20. Contents

1	Product profile	1
1.1	General description	1
1.2	Features and benefits	1
1.3	Quick reference data	1
2	Pinning information	2
3	Ordering information	2
4	Functional diagram	3
5	Functional description	3
5.1	Functional principle	3
5.2	Modes of operation	5
5.2.1	Start-up mode	5
5.2.2	Normal operation mode	5
5.2.3	CPTM	5
6	Limiting values	6
7	Recommended operating conditions	7
8	Characteristics	7
9	Electromagnetic compatibility	9
9.1	Emission	9
9.2	Immunity to electrical transients	9
9.3	Immunity to radiated disturbances	9
10	ElectroStatic Discharge (ESD)	9
10.1	Powered contact discharge	9
10.2	Unpowered contact discharge	9
10.3	Powered air discharge	9
10.4	Unpowered air discharge	9
11	Application information	10
12	Test information	10
12.1	Quality information	10
13	Marking	11
14	Package outline	12
15	Handling information	13
16	Solderability information	13
17	Revision history	13
18	Legal information	14
18.1	Data sheet status	14
18.2	Definitions	14
18.3	Disclaimers	14
18.4	Trademarks	15
19	Contact information	15
20	Contents	16

Please be aware that important notices concerning this document and the product(s) described herein, have been included in section 'Legal information'.

© NXP Semiconductors N.V. 2014.

All rights reserved.

For more information, please visit: <http://www.nxp.com>



For sales office addresses, please send an email to: salesaddresses@nxp.com

Date of release: 1 September 2014

Document identifier: KMI17_4

Looking for pricing, stock, or lifecycle information?

Click below to explore more details on WIN SOURCE:

-  [View KMI17/4X on WIN SOURCE](#)
-  [NXP / Nexperia Information](#)

Optimize Your Supply Chain with WIN SOURCE Solutions

-  Global Sourcing Solution
-  Obsolete Management
-  Cost Control Management
-  Shortage Management
-  Alternative Solution
-  Excess Inventory Management