



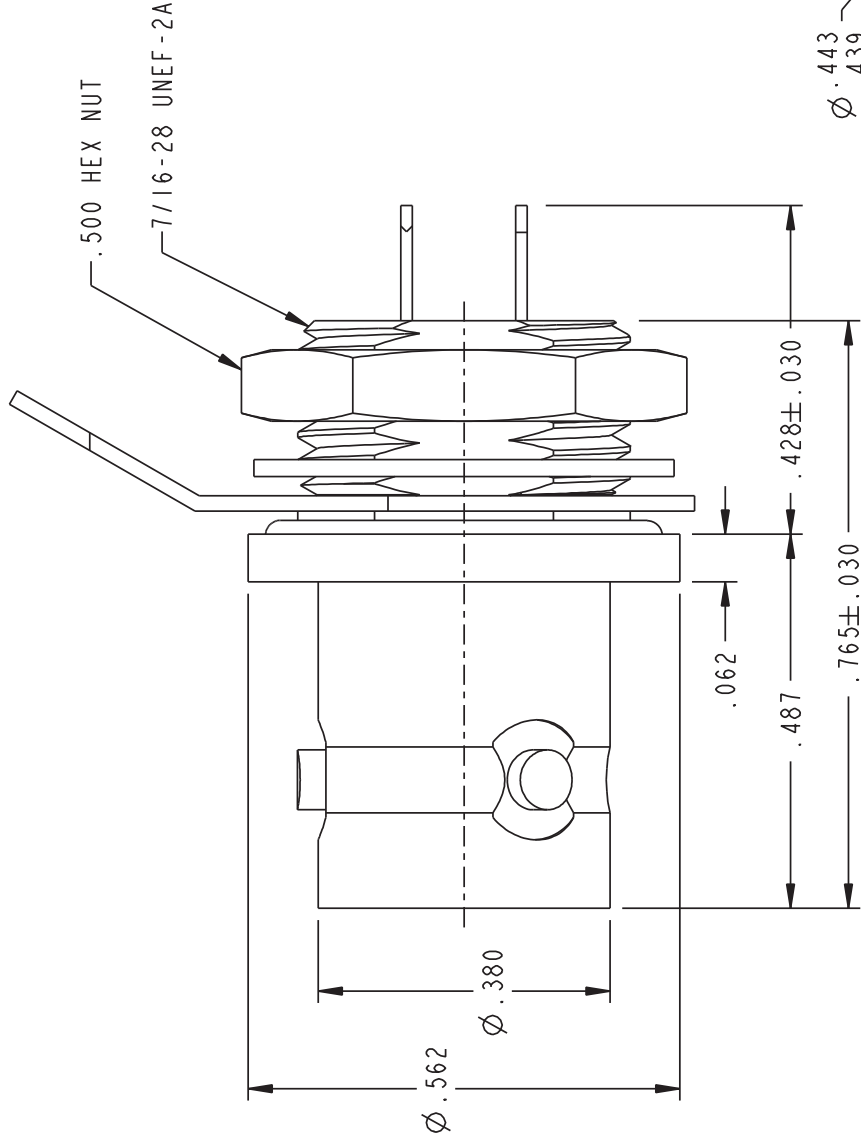
THE DATASHEET OF BJ77HS



DATA CONTAINED IN THIS DOCUMENT IS PROPRIETARY TO EMERSON CONNECTIVITY SOLUTIONS AND SHALL NOT BE DISCLOSED, COPIED OR USED FOR PROMOTION OR MANUFACTURE WITHOUT EXPRESS WRITTEN PERMISSION

REV	DESCRIPTION
G	ECO 53253

RE



5. LEAKAGE RATE: 1×10^{-8} ATM CC/SEC MAXIMUM OF INERT GAS (HELIUM) IAW MIL-STD-1344 REVISION A, METHOD 1008, TEMPERATURE RANGE -45.6°C TO $+71^{\circ}\text{C}$.

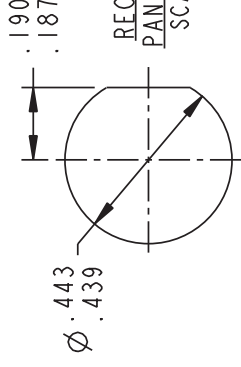
4. RED DOT INDICATES CENTER CONTACT TAB.

3. MAX PANEL THICKNESS: .125

2. SOCKET CONTACT CONCENTRIC TWINAX/TRIAX HERMETICALLY SEALED BULKHEAD MOUNT RECEPTACLE.

1. PASSIVATED STAINLESS STEEL.

NOTES: UNLESS OTHERWISE SPECIFIED.





TOL: UNLESS SPECIFIED. .XX ± .01 .XXX ± .003 .XXXX ± .0010 ANGLE ± 1° 00' CRITICAL		TITLE:	
INTERPRET DRAWING PER MIL-STD-100. DIMENSIONS ARE IN INCHES AND INCLUDE FINISH THICKNESS UNLESS OTHERWISE SPECIFIED.		MATERIAL:	
DRN	C. WALLACE	5/2/11	
CHK			
QUALITY			
MANUF			
APPROVED			
FINISH:		FINISH:	
DO NOT SCALE DWG		SCALE 4:1	
PROJE FILE NO. 305-0750		SIZE (A8) A 14	

N/A
BLANK LENGTH (REF. ONLY)
N/A
SURFACE AREA

Looking for pricing, stock, or lifecycle information?

Click below to explore more details on WIN SOURCE:

-  [View BJ77HS on WIN SOURCE](#)
-  [Cinch Connectivity Solutions](#) Information

Optimize Your Supply Chain with WIN SOURCE Solutions

-  Global Sourcing Solution
-  Obsolete Management
-  Cost Control Management
-  Shortage Management
-  Alternative Solution
-  Excess Inventory Management