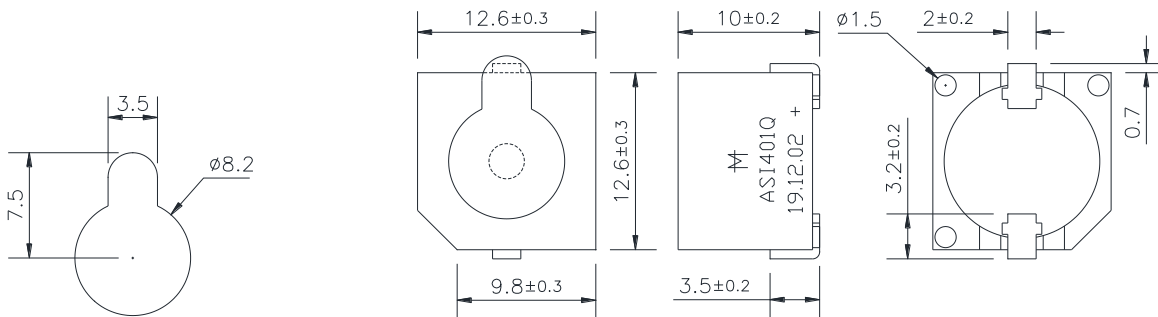
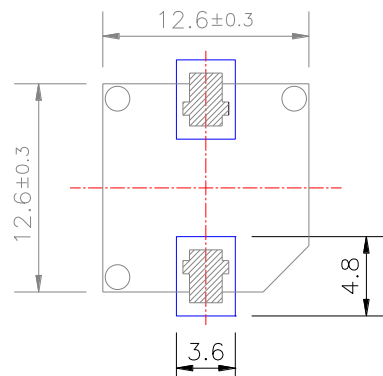


May not be suitable for all medical and aerospace applications.**Specifications: Contact Mallory Sonalert to discuss your application.**

Oscillation Frequency (Hz)	2400 ± 300
Operating Voltage (Vdc)	9.0 ~ 15
Rated Voltage (Vdc)	12
Current Consumption Max. (mA)	50 at Rated Voltage
Sound Pressure Level Min. (dB)	90 at 10cm at Rated Voltage
Tone/Pulse Rate	Constant
Operating Temperature (°C)	-40 ~ +80
Storage Temperature (°C)	-40 ~ +80
Housing	PPS plastic resin (Color: Gray)
Type of Connection	SMD
Weight (Grams)	3.0
Condition by reflow soldering (°C)	250 ±5 / within 5 sec
Condition by hand soldering (°C)	350 ±20 / within 5 sec
Options	For other options contact factory



Dimensions: (units: mm)**ROHS Compliant****Recommended PCB Layout****Packaging:**

Parts are supplied in tubes of 35 pieces.

Units come with wash label and are appropriate for aqueous wash.

Looking for pricing, stock, or lifecycle information?

Click below to explore more details on WIN SOURCE:

-  [View ASI401Q on WIN SOURCE](#)
-  [Mallory Sonalert Products Inc. Information](#)

Optimize Your Supply Chain with WIN SOURCE Solutions

-  Global Sourcing Solution
-  Obsolete Management
-  Cost Control Management
-  Shortage Management
-  Alternative Solution
-  Excess Inventory Management