



THE DATASHEET OF AFS374E



ECN/PCN No.: R0050

For Manufacturer			
Product Description: SMD 374.0MHz SAW Filter	Abracon Part Number / Part Series: AFS374E	<input type="checkbox"/> Documentation only <input type="checkbox"/> ECN <input checked="" type="checkbox"/> EOL	<input type="checkbox"/> Series <input checked="" type="checkbox"/> Part Number
Affected Revision: Rev B	New Revision: EOL	Application:	<input type="checkbox"/> Safety <input checked="" type="checkbox"/> Non-Safety
Prior to Change: N/A			
After Change: EOL			
Cause/Reason for Change: Due to low demand this part is discontinued.			
Change Plan			
Effective Date: 06/28/2021	Additional Remarks: N/A		
Change Declaration: EOL			
Issued Date: 06/28/2021	Issued By: <i>Nicholas El-Takach</i>	Issued Department: Engineering	
Approval: <i>Syed Raza</i> Engineering VP	Approval: <i>Reuben Quintanilla</i> Quality Director	Approval: <i>Ying Huang</i> Purchasing Director	
For Abracon EOL only			
Last Time Buy (if applicable): No last time buy.	Alternate Part Number / Part Series: N/A		
Additional Approval:	Additional Approval:	Additional Approval:	
Customer Approval (If Applicable)			
Qualification Status: <div style="text-align: center;"><input type="checkbox"/> Approved <input type="checkbox"/> Not accepted</div> <i>Note: It is considered approved if there is no feedback from the customer 1 month after ECN/PCN is released.</i>			
Customer Part Number:		Customer Project:	
Company Name:	Company Representative:	Representative Signature:	
Customer Remarks:			

SMD 374.0MHz SAW FILTER

AFS374E

APPLICATION: WLAN



5 x 5 x 1.35mm

STANDARD SPECIFICATIONS:

CHARACTERISTICS	UNIT	MIN.	TYP.	MAX.
Center Frequency Fc	MHz	-	374	-
Bandwidth	MHz	17	20.5	
Insertion Loss @ Passband	dB	-	8.5	10.5
Ripple @ Passband	dB		0.5	1
Relative Attenuation				
309 ~ 352 MHz	dB	40	50	-
352 ~ 357.5 MHz	dB	35	50	-
390.5 ~ 392 MHz	dB	35	45	-
392 ~ 396 MHz	dB	35	40	-
396 ~ 439 MHz	dB	38	42	-
439 ~ 454 MHz	dB	40	45	-
Ultimate Rejection	dB	50	-	-
DC Voltage	V		±30	
Source Power	dBm		0	
Operating Temperature	°C		-35°C to +85°C	
Storage Temperature	°C		-45°C to +85°C	
Group Delay Ripple p-p @ Fc ± 7MHz	nS	-	40	100
Triple Transit Suppression	dB	30	40	-

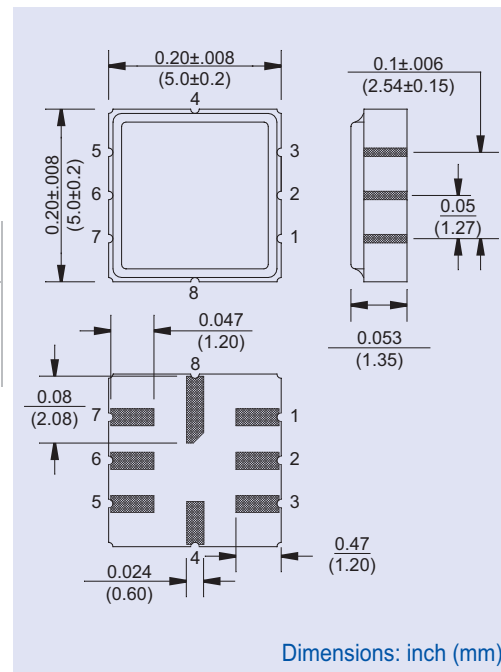
Electrostatic Sensitive Device. Handle with precaution.

MARKING:

- 374.00 (374 Frequency in MHz)
- AF ZYX (ZY: Date code Z for month from A to L; Y for year, i.e. 4 for 2004; X: Traceability code)

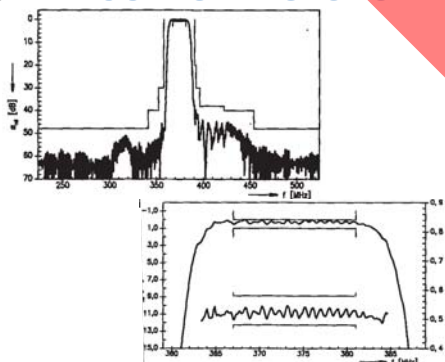
PIN NO.	CONNECTIONS
1	GND
2	Input- or GND
3	Input+
4	Case GND
5	GND
6	Output- or GND
7	Output+
8	Case GND

OUTLINE DRAWING:

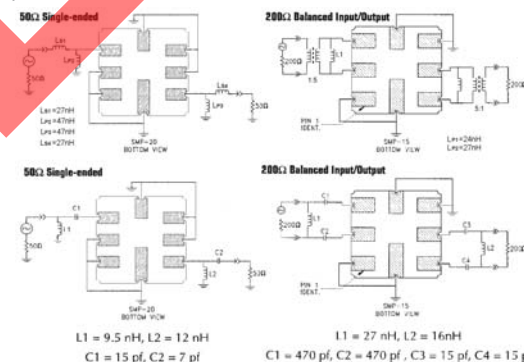


The termination shall be suitable for solder reflow.
Note: For the test inductors, please refer to Abracon's chip inductor series: AISC-0603.

FREQUENCY RESPONSE:



TEST CIRCUIT:



Looking for pricing, stock, or lifecycle information?

Click below to explore more details on WIN SOURCE:

 [View AFS374E on WIN SOURCE](#)

 [Abracon LLC Information](#)

Optimize Your Supply Chain with WIN SOURCE Solutions

-  Global Sourcing Solution
-  Obsolete Management
-  Cost Control Management
-  Shortage Management
-  Alternative Solution
-  Excess Inventory Management