



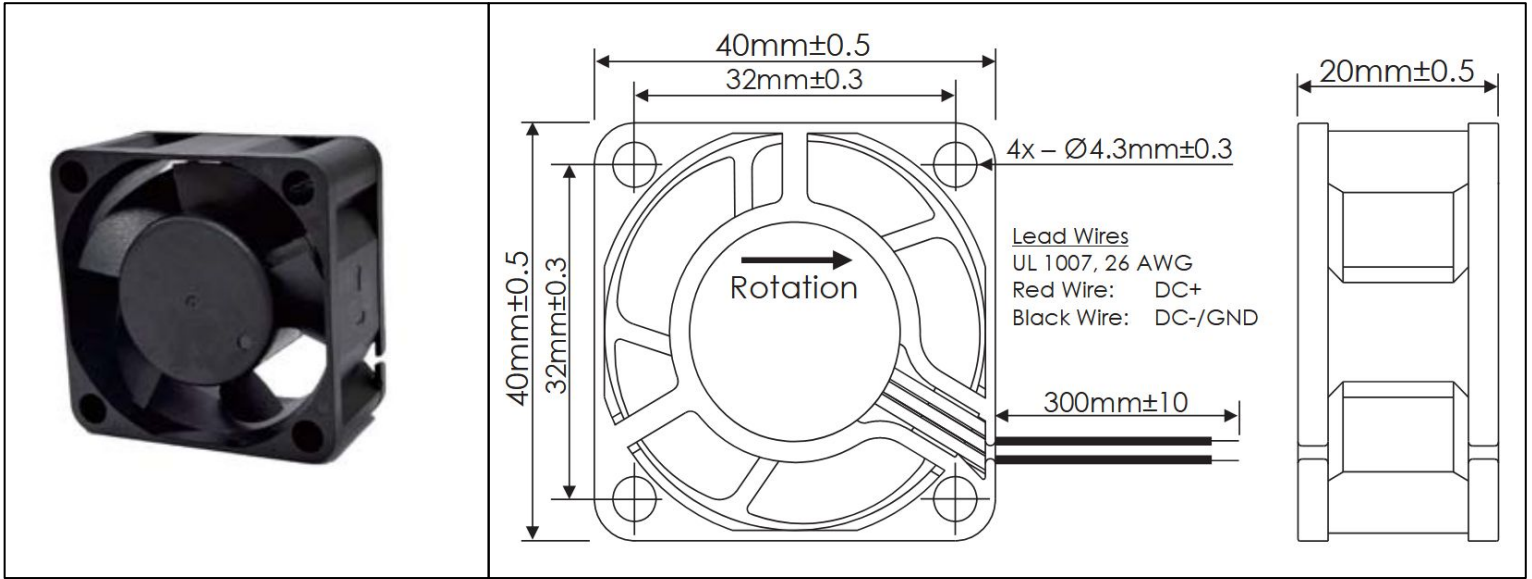
**THE DATASHEET OF  
OD4020-24MB**



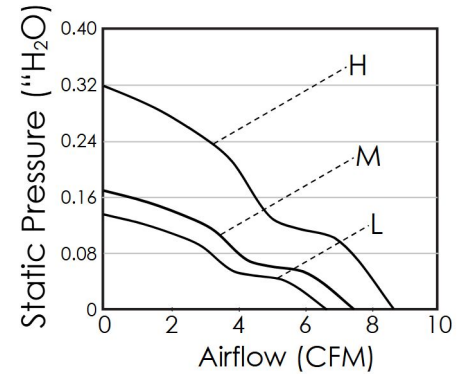
# OD4020 Series



DC Fans - 5, 12, 24V  
40mm x 20mm (1.58" x 0.79")



<b>Frame</b>	PBT, UL94 V-0 Plastic	<b>Operating Temperature</b> -20°C ~ +65°C
<b>Impeller</b>	PBT, UL94 V-0 Plastic	
<b>Connection</b>	2x Wire Leads, 26 AWG	<b>Storage Temperature</b> -20°C ~ +75°C
<b>Motor</b>	Brushless DC, Auto Cutoff, Auto Restart, Electronically Protected, Polarity Protected	
<b>Bearing System</b>	Ball Bearings	<b>Life Expectancy</b> 65,000 Hours (L10 at 45°C)
<b>Dielectric Strength</b>	500VDC/min, <1mA	
<b>Insulation Resistance</b>	≥10MΩ @ 500V DC	<b>Available Options</b> PWM Speed Control Input Tachometer Output Alarm Output IP Ratings  Weight: 0.07 lbs

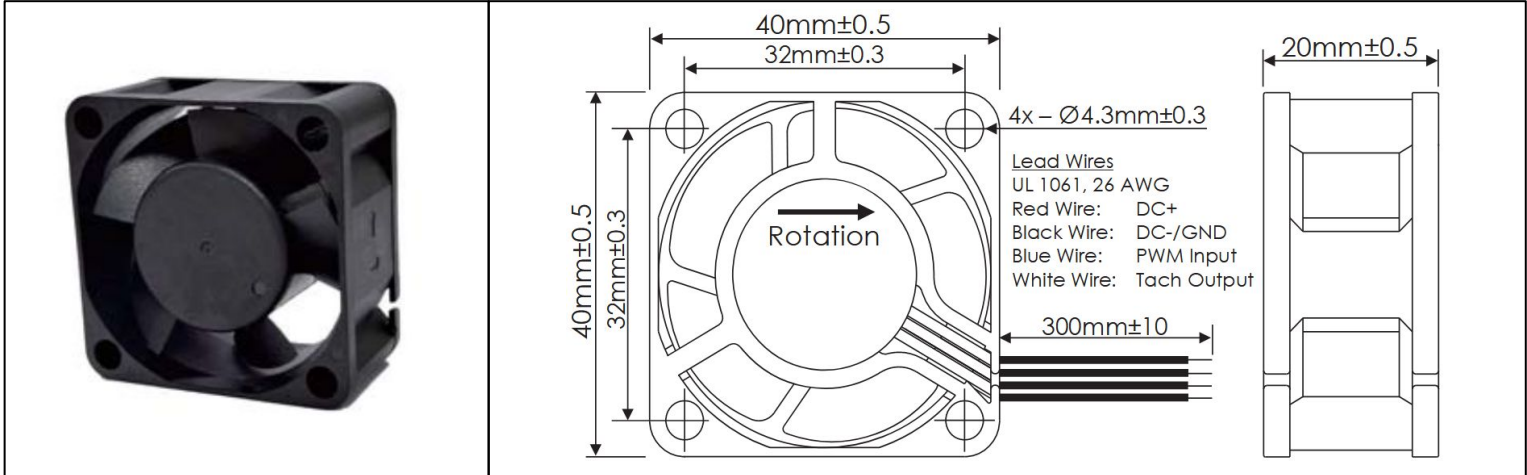


Part Number	Rated Voltage (Volts DC)	Voltage Range (Volts DC)	Input Power (Watts)(Max)	Rated Current (Amps)(Max)	Rated Speed (RPM)	Max Airflow (CFM)	Noise Level (dBA)	Max Static Pressure ("H <sub>2</sub> O)
OD4020-05HB	5	4.5 ~ 5.5	1.80	0.23 (0.36)	7780	8.7	32.1	0.32
OD4020-05MB	5	4.5 ~ 5.5	1.15	0.20 (0.23)	6475	7.5	30.3	0.17
OD4020-05LB	5	4.5 ~ 5.5	0.90	0.16 (0.18)	5150	6.5	24.1	0.14
OD4020-12HB	12	8 ~ 13.8	2.52	0.10 (0.21)	8190	8.7	32.1	0.32
OD4020-12MB	12	8 ~ 13.8	1.20	0.08 (0.10)	6475	7.5	30.3	0.17
OD4020-12LB	12	8 ~ 13.8	0.96	0.06 (0.08)	5150	6.5	24.1	0.14
OD4020-24HB	24	14 ~ 26.4	2.16	0.07 (0.09)	8190	8.7	32.1	0.32
OD4020-24MB	24	14 ~ 26.4	1.68	0.05 (0.07)	6475	7.5	30.3	0.17
OD4020-24LB	24	14 ~ 26.4	1.20	0.04 (0.05)	5150	6.5	24.1	0.14

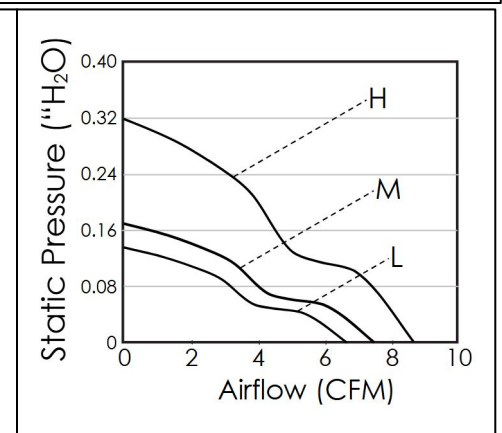


# OD4020 Series with PWM and Tach

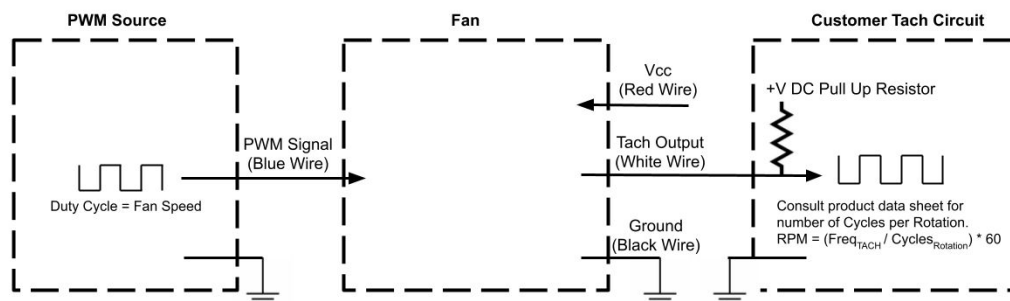
DC Fans - 5, 12, 24V  
40mm x 20mm (1.58" x 0.79")



Frame	PBT, UL94 V-0 Plastic	<b>Operating Temperature</b> -20°C ~ +65°C
Impeller	PBT, UL94 V-0 Plastic	
Connection	4x Wire Leads, 26 AWG	<b>Storage Temperature</b> -20°C ~ +75°C
Motor	Brushless DC, Auto Cutoff, Auto Restart, Electronically Protected, Polarity Protected	
Bearing System	Ball Bearings	<b>Life Expectancy</b> 65,000 Hours (L10 at 45°C)
Dielectric Strength	500VDC/min, <1mA	
Insulation Resistance	≥10MΩ @ 500V DC	<b>Installed Options</b> PWM Speed Control Input Open Collector Tach Output
		Weight: 0.07 lbs



Part Number	Rated Voltage (Volts DC)	Voltage Range (Volts DC)	Input Power (Watts)(Max)	Rated Current (Amps)(Max)	Rated Speed (RPM)	Max Airflow (CFM)	Noise Level (dBA)	Max Static Pressure ("H <sub>2</sub> O)
OD4020-05HB10A	5	4.5 ~ 5.5	1.80	0.23 (0.36)	7780	8.7	32.1	0.32
OD4020-05MB10A	5	4.5 ~ 5.5	1.15	0.20 (0.23)	6475	7.5	30.3	0.17
OD4020-05LB10A	5	4.5 ~ 5.5	0.90	0.16 (0.18)	5150	6.5	24.1	0.14
OD4020-12HB10A	12	8 ~ 13.8	2.52	0.10 (0.21)	8190	8.7	32.1	0.32
OD4020-12MB10A	12	8 ~ 13.8	1.20	0.08 (0.10)	6475	7.5	30.3	0.17
OD4020-12LB10A	12	8 ~ 13.8	0.96	0.06 (0.08)	5150	6.5	24.1	0.14
OD4020-24HB10A	24	14 ~ 26.4	2.16	0.07 (0.09)	8190	8.7	32.1	0.32
OD4020-24MB10A	24	14 ~ 26.4	1.68	0.05 (0.07)	6475	7.5	30.3	0.17
OD4020-24LB10A	24	14 ~ 26.4	1.20	0.04 (0.05)	5150	6.5	24.1	0.14

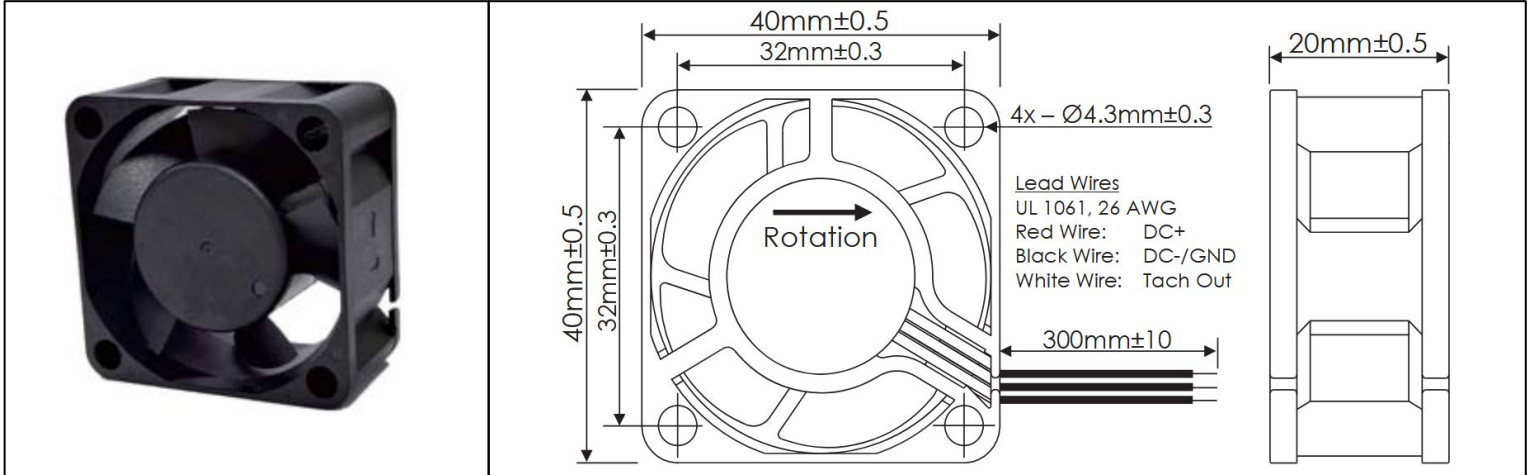


PWM Max High Voltage: 5V  
 PWM Max Sink Current: 5mA  
 PWM Frequency Range: 1KHz-40KHz  
 PWM Typical Frequency: 25KHz  
 RPM at 0% Duty Cycle: 0 RPM  
 RPM will be full speed if PWM input is disconnected.  
 RPM will be 0 RPM if PWM input is grounded.  
 Tach Max Pullup Voltage: Fan Vcc  
 Tach Max Sink Current: 5mA  
 Tach Cycles per Rotation: 2

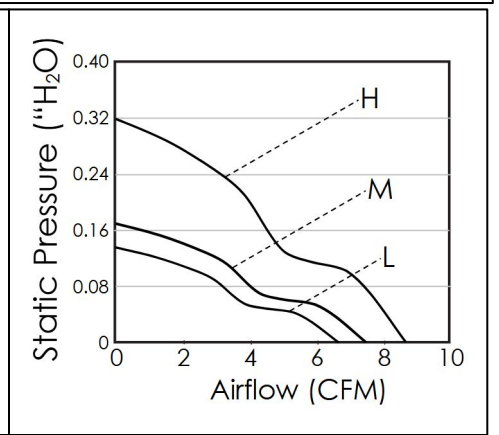
# OD4020 Series with Tach



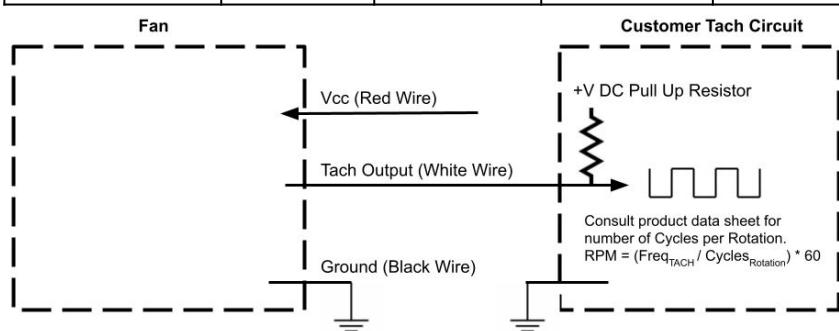
DC Fans - 5, 12, 24V  
40mm x 20mm (1.58" x 0.79")



Frame	PBT, UL94 V-0 Plastic	<b>Operating Temperature</b> -20°C ~ +65°C
Impeller	PBT, UL94 V-0 Plastic	
Connection	3x Wire Leads, 26 AWG	<b>Storage Temperature</b> -20°C ~ +75°C
Motor	Brushless DC, Auto Cutoff, Auto Restart, Electronically Protected, Polarity Protected	
Bearing System	Ball Bearings	<b>Life Expectancy</b> 65,000 Hours (L10 at 45°C)
Dielectric Strength	500VDC/min, <1mA	
Insulation Resistance	≥10MΩ @ 500V DC	<b>Installed Options</b> Open Collector Tach Output
		Weight: 0.07 lbs



Part Number	Rated Voltage (Volts DC)	Voltage Range (Volts DC)	Input Power (Watts)(Max)	Rated Current (Amps)(Max)	Rated Speed (RPM)	Max Airflow (CFM)	Noise Level (dBA)	Max Static Pressure ("H <sub>2</sub> O)
OD4020-05HB01A	5	4.5 ~ 5.5	1.80	0.23 (0.36)	7780	8.7	32.1	0.32
OD4020-05MB01A	5	4.5 ~ 5.5	1.15	0.20 (0.23)	6475	7.5	30.3	0.17
OD4020-05LB01A	5	4.5 ~ 5.5	0.90	0.16 (0.18)	5150	6.5	24.1	0.14
OD4020-12HB01A	12	8 ~ 13.8	2.52	0.10 (0.21)	8190	8.7	32.1	0.32
OD4020-12MB01A	12	8 ~ 13.8	1.20	0.08 (0.10)	6475	7.5	30.3	0.17
OD4020-12LB01A	12	8 ~ 13.8	0.96	0.06 (0.08)	5150	6.5	24.1	0.14
OD4020-24HB01A	24	14 ~ 26.4	2.16	0.07 (0.09)	8190	8.7	32.1	0.32
OD4020-24MB01A	24	14 ~ 26.4	1.68	0.05 (0.07)	6475	7.5	30.3	0.17
OD4020-24LB01A	24	14 ~ 26.4	1.20	0.04 (0.05)	5150	6.5	24.1	0.14

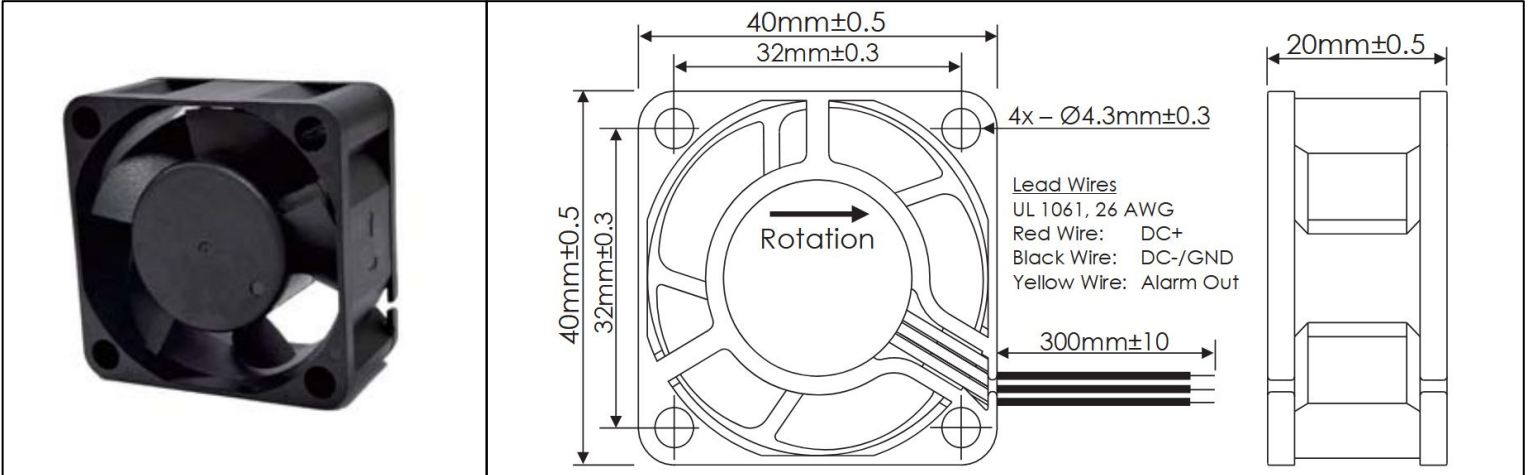


Tach Max Pullup Voltage: Fan Vcc  
Tach Max Sink Current: 5mA  
Tach Cycles per Rotation: 2

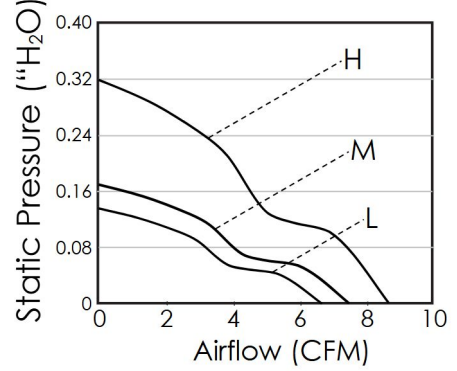
# OD4020 Series with Alarm



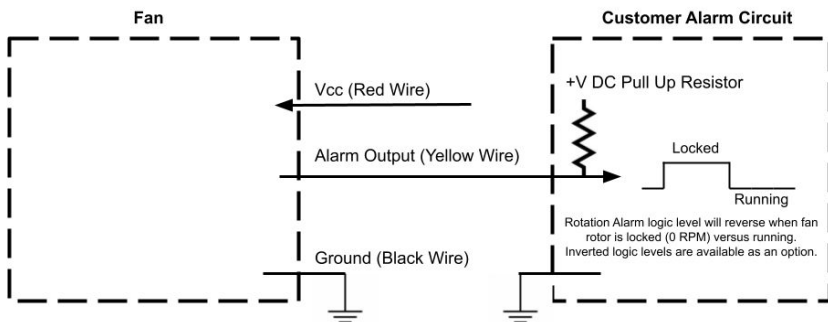
DC Fans - 5, 12, 24V  
40mm x 20mm (1.58" x 0.79")



Frame	PBT, UL94 V-0 Plastic	<b>Operating Temperature</b> -20°C ~ +65°C <b>Storage Temperature</b> -20°C ~ +75°C <b>Life Expectancy</b> 65,000 Hours (L10 at 45°C)
Impeller	PBT, UL94 V-0 Plastic	
Connection	3x Wire Leads, 26 AWG	<b>Installed Options</b> Open Collector Alarm Output  <b>Available Options</b> Inverted Alarm State
Motor	Brushless DC, Auto Cutoff, Auto Restart, Electronically Protected, Polarity Protected	
Bearing System	Ball Bearings	<b>Weight:</b> 0.07 lbs
Dielectric Strength	500VDC/min, <1mA	
Insulation Resistance	≥10MΩ @ 500V DC	



Part Number	Rated Voltage (Volts DC)	Voltage Range (Volts DC)	Input Power (Watts)(Max)	Rated Current (Amps)(Max)	Rated Speed (RPM)	Max Airflow (CFM)	Noise Level (dBA)	Max Static Pressure ("H <sub>2</sub> O)
OD4020-05HB02A	5	4.5 ~ 5.5	1.80	0.23 (0.36)	7780	8.7	32.1	0.32
OD4020-05MB02A	5	4.5 ~ 5.5	1.15	0.20 (0.23)	6475	7.5	30.3	0.17
OD4020-05LB02A	5	4.5 ~ 5.5	0.90	0.16 (0.18)	5150	6.5	24.1	0.14
OD4020-12HB02A	12	8 ~ 13.8	2.52	0.10 (0.21)	8190	8.7	32.1	0.32
OD4020-12MB02A	12	8 ~ 13.8	1.20	0.08 (0.10)	6475	7.5	30.3	0.17
OD4020-12LB02A	12	8 ~ 13.8	0.96	0.06 (0.08)	5150	6.5	24.1	0.14
OD4020-24HB02A	24	14 ~ 26.4	2.16	0.07 (0.09)	8190	8.7	32.1	0.32
OD4020-24MB02A	24	14 ~ 26.4	1.68	0.05 (0.07)	6475	7.5	30.3	0.17
OD4020-24LB02A	24	14 ~ 26.4	1.20	0.04 (0.05)	5150	6.5	24.1	0.14



Alarm Max Pullup Voltage: Fan Vcc  
 Alarm Max Sink Current: 5mA  
 Alarm Active Logic State: High

## Looking for pricing, stock, or lifecycle information?

Click below to explore more details on WIN SOURCE:

 [View OD4020-24MB on WIN SOURCE](#)

 [Orion Fans Information](#)

## Optimize Your Supply Chain with WIN SOURCE Solutions

-  Global Sourcing Solution
-  Obsolete Management
-  Cost Control Management
-  Shortage Management
-  Alternative Solution
-  Excess Inventory Management