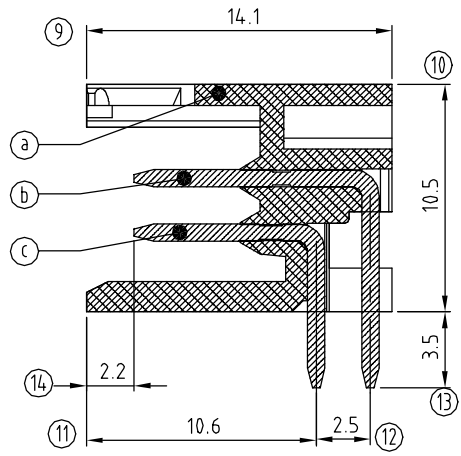
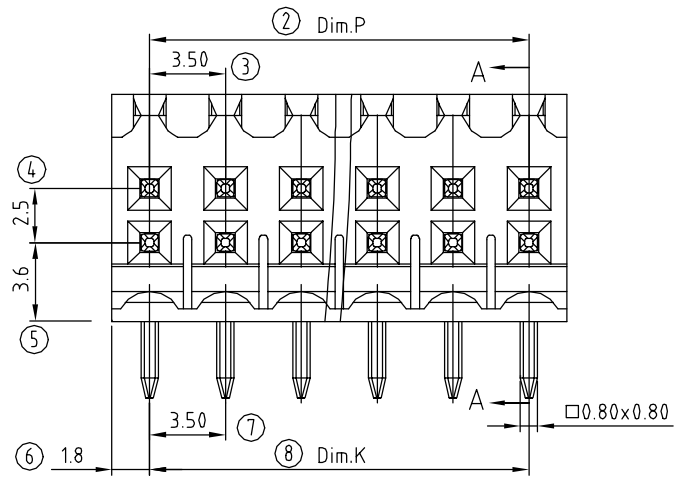
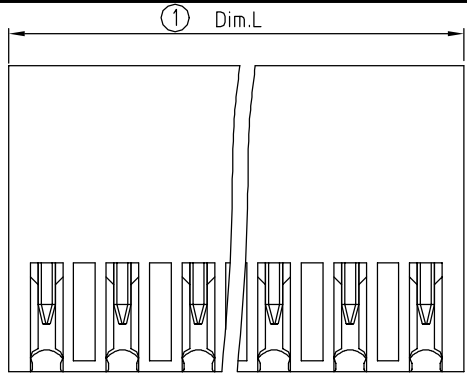




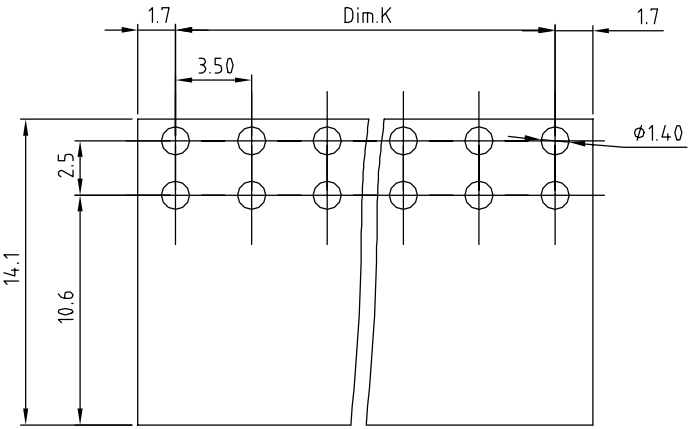
**THE DATASHEET OF
VX1010310000G**



| | | | |
|--|-----------|---------------------|----------|
| SIGN | DATE | DESCRIPTION | APPROVER |
| △ | 04/25 '11 | Material is changed | Chen Bo |
| THIS IS CAD DRAWING, DO NOT REVISE MANUALLY!!! | | | |



- Material:
- Item ① Terminal housing: PA66 (UL94V-0)
 - Item ② Male contact long pin: Brass, Tin plated
 - Item ③ Male contact short pin: Brass, Tin plated
- Electrical: cULus
- Voltage rating: 150V
 - Current rating: 7 A
 - Withstanding Voltage: 1.3KV
 - Operating temperature: -40°C to +115°C
 - Soldering temperature: 250°C±10°C/5 Sec
 - Safety Approval:



| |
|------------------|
| DimL=N/2×3.5 |
| DimP=(N/2-1)×3.5 |
| DimK=(N/2-1)×3.5 |

N=Number of poles

| POLES | Dim. | |
|-------------|-------|-------|
| | Tol | |
| 2x2p-2x6p | ±0.15 | ±0.10 |
| 2x7p-2x12p | ±0.25 | ±0.20 |
| 2x13p-2x18p | ±0.35 | ±0.30 |
| 2x19p-2x24p | ±0.40 | ±0.35 |

V X xx 1 0 x 1 xxxx G

NO of plose

| | | |
|------------------|----------|--|
| 04 2x2 CONTACTS | 0 Black | RoHS |
| 06 3x2 CONTACTS | 3 Orange | Pb<40,000ppm |
| | 5 Green | 0000 Standard @ Logo |
| 48 24x2 CONTACTS | 6 Blue | 000A Standard ANY Logo |
| | 8 Grey | Any special item by customer request, please contact sales department. |

| | | | | | | | |
|---|--|---------------------------------------|----------------------|------------------------|--------------|--|-------------|
| ANYTEK | | | | INSPECTION COPY | | | |
| ALL RIGHTS RESERVED. REPRODUCTION OR ISSUE TO THIRD PARTIES IN ANY FORM WHATSOEVER IS NOT PERMITTED WITHOUT WRITTEN AUTHORITY FROM THE PROPRIETOR. PROPERTY OF ANYTEK TECHNOLOGY CO., LTD | | | | | | | |
| TITLE | | VX 3.5mm Series Open type Right-angle | | | | | |
| PART NO. | | VXxx10x1xxxxG | | | DWG NO. | | 8VX003 |
| APPROVED | | CHECKED | DESIGNED | DRAWN | CUST NO. | | Tolerance |
| | | | Runner 2011.04.25 | Chen Bo 2011.04.25 | | | X. ±0.50 |
| | | | | | | | X.X ±0.30 |
| | | | | | | | X.XX ±0.10 |
| | | | | | | | X° ±1° |
| | | | | | SHEET: 01/01 | | UNIT: mm |
| | | | | | REV.: C | | SCALE: NONE |

Looking for pricing, stock, or lifecycle information?

Click below to explore more details on WIN SOURCE:

 [View VX1010310000G on WIN SOURCE](#)

 [Amphenol Anytek Information](#)

Optimize Your Supply Chain with WIN SOURCE Solutions

-  Global Sourcing Solution
-  Obsolete Management
-  Cost Control Management
-  Shortage Management
-  Alternative Solution
-  Excess Inventory Management